

GP7A
301R4

2024



PGM-FI Racing Trial

PART LIST

MONTESA HONDA, S.A.U.

PART LIST

COTA 301RR 2024

MONTESA COTA 301RR

The following diagram shows the 4 different versions of the COTA 301RR model:

(ED) Versión Homologada, COTA 301RR



(2ED) Versión Homologada, COTA 301RR RACE REPLICA



(3ED) Versión de Competición, COTA 301RR



(4ED) Versión de Competición, COTA 301RR RACE REPLICA.



All information in this publication is based on the latest product information available at the time of approval for printing. The images and illustrations regarding the vehicle and its parts shown in this manual might not match exactly your real vehicle. MONTESA HONDA, S.A.U. reserves the right to make changes at any time without notice and without incurring any obligation. No part of this publication may be reproduced without written permission.

**ILLUSTRATION MANAGEMENT NUMBER (IDENTIFICATION)
FOR '23 COTA 301RR PARTS LIST**

ENGINE GROUP	ILLUSTRATION NUMBER	FRAME GROUP	ILLUSTRATION NUMBER
Cylinder head	E-01	Cable / Switch	F-01
Camshaft / Valve	E-02	Front brake master cylinder	F-02
Camchain / Tensioner.....	E-03	Clutch master cylinder	F-03
Cylinder	E-04	Steering handle pipe / Top bridge / Head light	F-04 (ED/2ED)
RH. Crankcase cover	E-05	Steering handle pipe / Top bridge	F-04 (3ED/4ED)
Clutch	E-06	Steering stem	F-05
Oil pump.....	E-07	Front fender.....	F-06
Water pump.....	E-08	Front fork (Showa).....	F-07
LH. Crankcase cover.....	E-09	Front brake caliper	F-08
Generator	E-10	Front wheel.....	F-09
Crankcase	E-11	Rear brake caliper	F-10
Crankshaft / Piston.....	E-12	Rear brake master cylinder	F-11
Transmission.....	E-13	Rear wheel.....	F-12
Gearshift drum.....	E-14	Fuel tank / Fuel pump	F-13 (ED/2ED)
Kick starter spindle.....	E-15	Fuel tank / Fuel pump	F-13 (3ED/4ED)
Throttle body / Injector	E-16	Rear fender.....	F-14
		Air cleaner	F-15
		Exhaust muffler.....	F-16
		Pedal / Kick starter arm.....	F-17
		Stand / Step	F-18
		Swingarm	F-19
		Rear cushion (Showa).....	F-20
		Wire harness.....	F-21
		Radiator.....	F-22
		Frame body	F-23
		Emblem / Stripe.....	F-24 (ED/3ED)
		Emblem / Stripe.....	F-24 (2ED/4ED)
		Optional parts.....	F-25 (ED/3ED)
		Optional parts.....	F-25 (2ED/4ED)

CONTENTS OF '23 COTA 301RR PARTS LIST

INSTRUCTIONS FOR USE OF PARTS LIST5

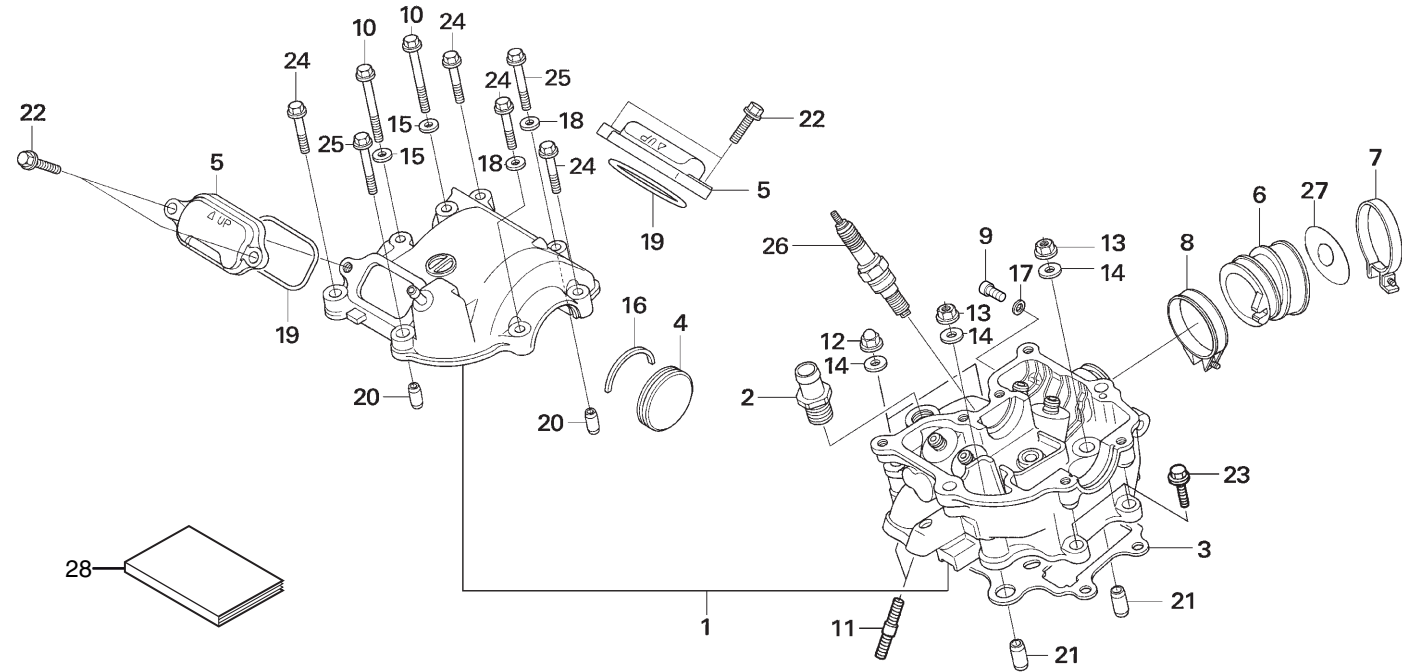
ENGINE GROUP

E-01	Cylinder head.....	6
E-02	Camshaft / Valve.....	7
E-03	Camchain / Tensioner	8
E-04	Cylinder.....	9
E-05	RH. Crankcase cover.....	10
E-06	Clutch	11
E-07	Oil pump	12
E-08	Water pump	13
E-09	LH. Crankcase cover	14
E-10	Generator.....	15
E-11	Crankcase.....	16
E-11	Crankcase.....	17
E-12	Crankshaft / Piston.....	18
E-13	Transmission.....	19
E-14	Gearshift drum.....	20
E-15	Kick starter spindle.....	21
E-16	Throttle body / Injector	22

FRAME GROUP

F-01	Cable / Switch	23
F-02	Front brake master cylinder.....	24
F-03	Clutch master cylinder.....	25
F-04	(ED/2ED) Steering handle pipe / Top bridge / Head light ..	26
F-04	(3ED/4ED) Steering handle pipe / Top bridge.....	28
F-05	Steering stem	29
F-06	Front fender	30
F-07	Front fork (Showa)	31
F-08	Front brake caliper.....	32
F-09	Front wheel	33
F-10	Rear brake caliper	34
F-11	Rear brake master cylinder.....	35
F-12	Rear wheel.....	36
F-13	(ED/2ED) Fuel tank / Fuel pump	37
F-13	(3ED/4ED) Fuel tank / Fuel pump	38
F-14	Rear fender.....	39
F-15	Air cleaner.....	40
F-16	Exhaust muffler.....	41
F-17	Pedal / Kick starter arm	42
F-18	Stand / Step.....	43
F-19	Swingarm.....	44
F-20	Rear cushion (Showa).....	46
F-21	Wire harness.....	47
F-22	Radiator	49
F-23	Frame body	50
F-24	(ED/3ED) Emblem / Stripe	51
F-24	(2ED/4ED) Emblem / Stripe	52
F-25	(ED/3ED) Optional parts	53
F-26	(2ED/4ED) Optional parts	54

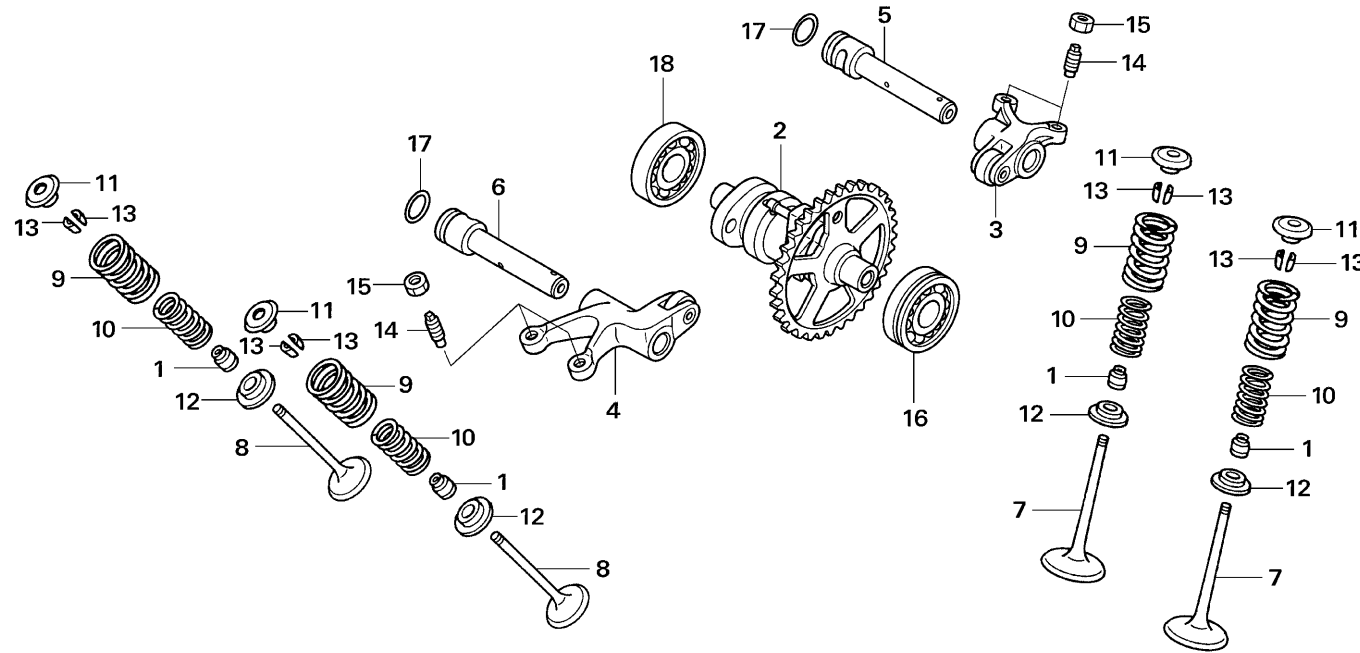
Block No.
E-01
Cylinder head



FR.

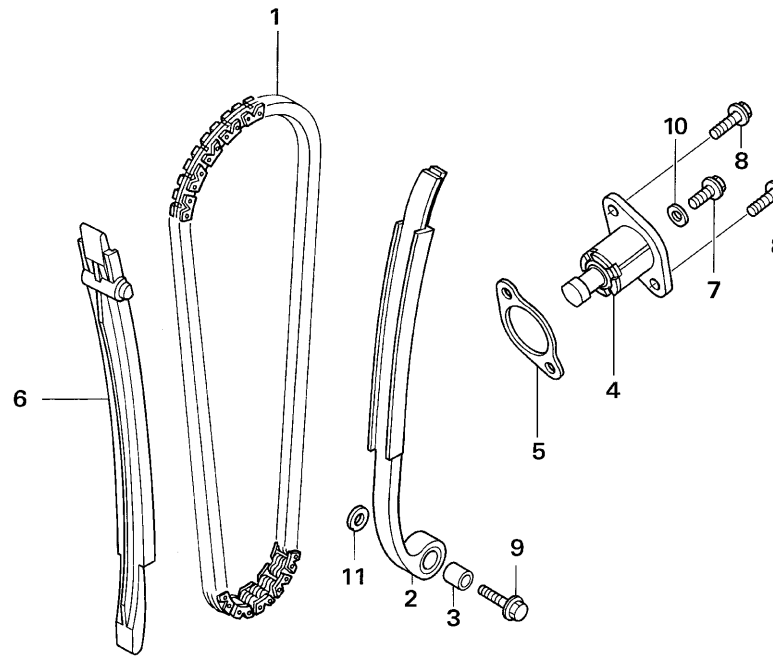
Ref.No.	Part No.	Description	Qty.	Ref.No.	Part No.	Description	Qty.
1	12010-NN4-000	HEAD SET, CYLINDER	1	18	90463-ML7-000	WASHER, SEALING, 6.5mm	2
2	12203-KA5-690	JOINT, PIPE 13	1	19	91303-436-003	O-RING, 43X2.5	2
3	12251-NN4-P60	GASKET, CYLINDER HEAD	1	20	94301-08140	DOWEL PIN, 8X14	2
4	12312-NN4-000	CAP, CYLINDER HEAD SIDE	1	21	94301-12200	DOWEL PIN, 12X20	2
5	12351-NN4-000	COVER, TAPPET ADJ HOLE	2	22	96001-06020-00	BOLT, FLANGE, 6X20	4
6	16211-NN4-000	INSULATOR, THROTTLE BODY	1	23	96001-06022-00	BOLT, FLANGE, 6X22	2
7	16215-NN4-000	BAND, INSULATOR	1	24	96001-06028-00	BOLT, FLANGE, 6X28	4
8	16216-MCZ-000	BAND, INSULATOR A	1	25	96001-06035-00	BOLT, FLANGE, 6X35	2
9	90089-KR0-000	BOLT SOCKET 5X12	1	26	98059-56916-00	SPARK PLUG, CR6EH-9	1
10	90002-NN4-000	BOLT, SPECIAL 6X50	2	27	16213-NN4-600	INSOLATE PLATE (ED/2ED)	1
11	90041-NN4-000	BOLT, STUD 2.7X17	2	28	62NN4VREMH	SHOP / OWNER'S MANUAL (ENGLISH)	1
12	90232-MB6-680	NUT 9MM, CAP	2		65NN4VRSMH	SHOP / OWNER'S MANUAL (ESPAÑOL)	1
13	90233-MM4-000	NUT FLANGE 9mm	2		64NN4VRGMH	SHOP / OWNER'S MANUAL (DEUTSCH)	1
14	90401-KRN-670	WASHER, PLAIN 9mm	4		69NN4VRIMH	SHOP / OWNER'S MANUAL (ITALIANO)	1
15	90441-MR1-770	WASHER, SEALING	2		63NN4VRFMH	SHOP / OWNER'S MANUAL (FRANÇAIS)	1
16	90446-NN4-000	WASHER, CAM SHAFT THRUST	1		U2NN4VRUMH	SHOP / OWNER'S MANUAL (USA)	1
17	90452-323-000	WASHER, 5MM	1				

Block No.
E-02
Camshaft
Valve



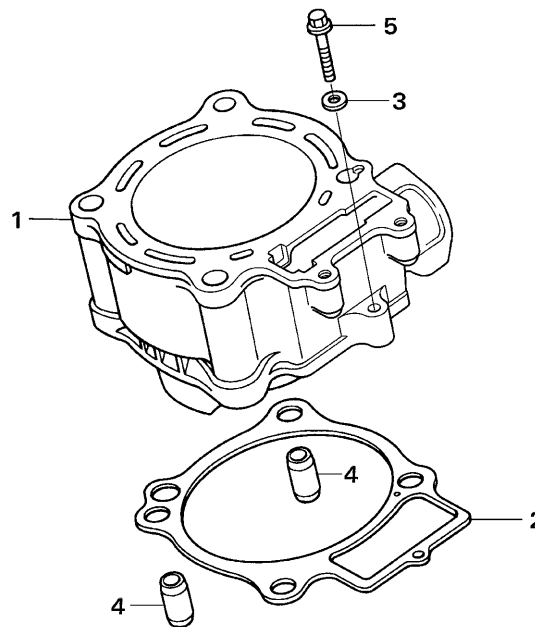
Ref.No.	Part No.	Description	Qty.	Ref.No.	Part No.	Description	Qty.
1	12209-ML0-722	SEAL VALVE STEM.....	4	17	91370-461-000	O-RING, 11.9X2.2.....	2
2	14100-NN4-D00	SHAFT COMP., CAM.....	1	18	96100-62013-00	BEARING, BALL RADIAL 6201.....	1
3	14430-NN4-000	ARM COMP., IN. ROCKER.....	1				
4	14440-NN4-000	ARM COMP., EXH. ROCKER.....	1				
5	14450-NN4-000	SHAFT COMP., IN. ROCKER ARM.....	1				
6	14460-NN4-000	SHAFT COMP., EX. ROCKER ARM.....	1				
7	14711-NN4-000	VALVE, INLET.....	2				
8	14721-NN4-000	VALVE, EXHAUST.....	2				
9	14751-NN4-000	SPRING, VALVE OUTER.....	4				
10	14752-NN4-000	SPRING, VALVE INNER.....	4				
11	14771-KW3-900	RETAINER VALVE SPRING.....	4				
12	14776-NN4-000	SEAT, VALVE SPRING.....	4				
13	14781-ML0-720	COTTER, VALVE.....	8				
14	90012-KK3-830	SCR., TAPPET ADJG.....	4				
15	90206-250-000	NUT, TAPPET ADJG.....	4				
16	91007-NN4-003	BEARING, BALL RADIAL 6201 SPL.....	1				

Block No.
E-03
Camchain
Tensioner



Ref.No.	Part No.	Description	Qty.	Ref.No.	Part No.	Description	Qty.
1	14401-NN4-003	CHAIN, CAM.....	1				
2	14510-NN4-000	TENSIONER COMP., CAM CHAIN	1				
3	14515-KF0-000	TENSIONER COLLAR.....	1				
4	14520-KRN-671	LIFTER ASSY., TENSIONER	1				
5	14560-MEN-671	GASKET, TENSIONER LIFTER	1				
6	14620-NN4-000	GUIDE, CAM CHAIN.....	1				
7	90004-GHB-600	BOLT, FLANGE, NSHF, 6X10	1				
8	90004-GHB-630	BOLT, FLANGE, NSHF, 6X16	2				
9	90088-MEB-670	BOLT, FLANGE 6X25	1				
10	90442-397-000	WASHER, SEALING 6mm	1				
11	90482-567-000	WASHER, SPECIAL 6mm.....	1				

Block No.
E-04
Cylinder

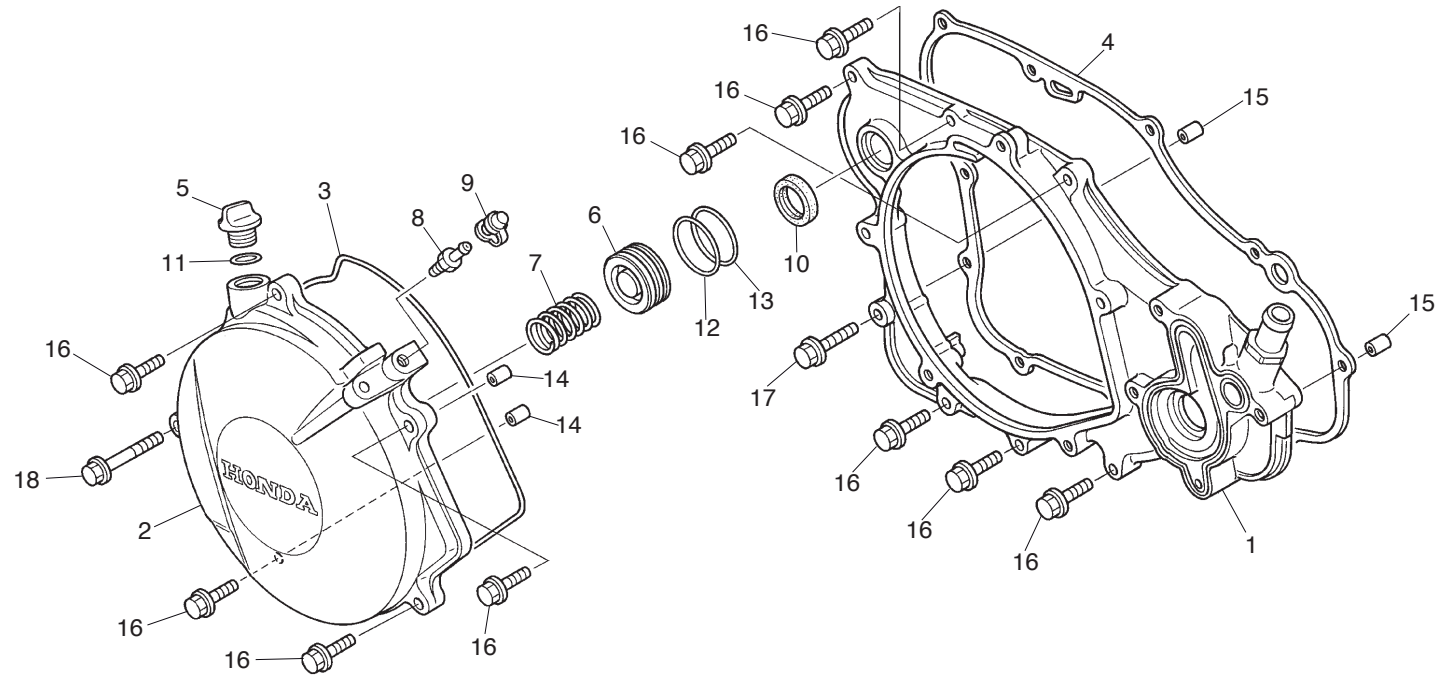


Ref.No.	Part No.	Description	Qty.	Ref.No.	Part No.	Description	Qty.
1	12100-NN4-P60	CYLINDER	1				
2	12191-NN4-P60	GASKET, CYLINDER.....	1				
3	90463-ML7-000	WASHER, SEALING, 6.5mm	1				
4	94301-12200	PIN, DOWEL, 12X20	2				
5	96001-06028-00	BOLT, FLANGE, 6X28	1				

Block No.

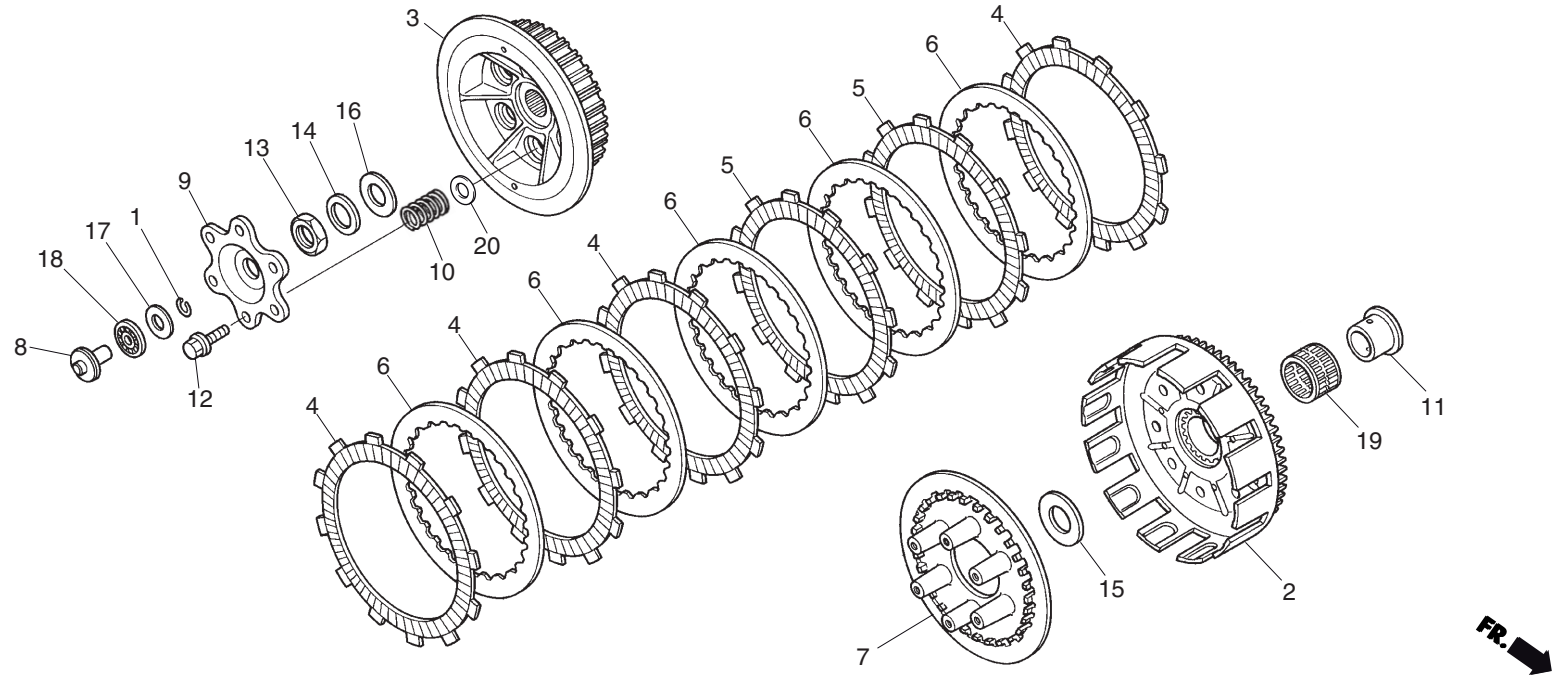
E-05

RH. Crankcase cover



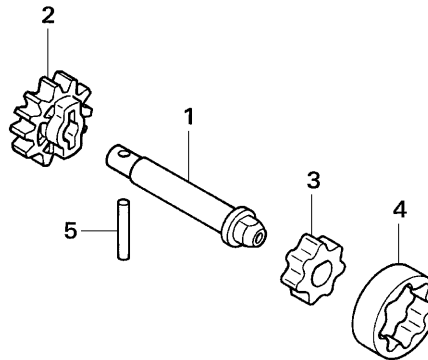
Ref.No.	Part No.	Description	Qty.	Ref.No.	Part No.	Description	Qty.
1	11330-NN4-000	COVER COMP, RH. CRANK CASE.....	1	17	96001-06035-00	BOLT, FLANGE, 6X35.....	1
2	11350-NN4-P60	COVER COMP, CLUTCH (BLACK).....	1	18	96001-06055-00	BOLT, FLANGE, 6X55.....	1
3	11352-NN4-003	GASKET, CLUTCH COVER.....	1				
4	11394-NN4-000	GASKET, RH. COVER.....	1				
5	15611-KA3-710	CAP, OIL FILLER.....	1				
6	22863-NN3-000	PISTON COMP, SLAVE CYLN.....	1				
7	22864-NN3-000	SPRING, SLAVE CYLN.....	1				
8	43352-568-003	SCREW, BLEEDER.....	1				
9	43353-461-771	CAP, BLEEDER.....	1				
10	91205-KA3-712	OIL SEAL, 16.5X25X5.....	1				
11	91305-PH7-003	O-RING, 11.9X2.4.....	1				
12	91312-371-013	O-RING, 23X2.1.....	1				
13	91312-NN3-003	O-RING, 21.8X2.4.....	1				
14	91320-KE1-000	PIN, DOWEL SPC. 8X7.....	2				
15	94301-08140	DOWEL PIN, 8X14.....	2				
16	96001-06028-00	BOLT, FLANGE, 6X28.....	10				

Block No.
E-06
Clutch



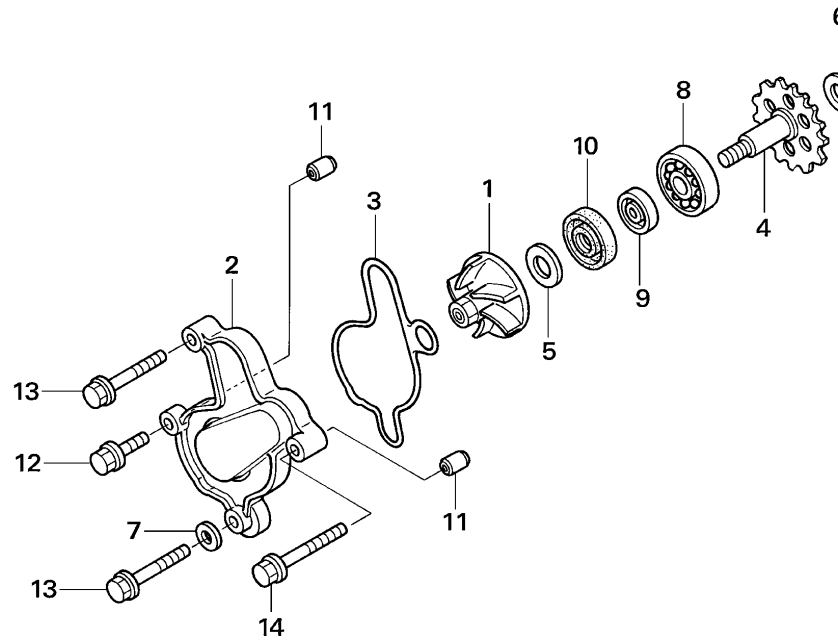
Ref.No.	Part No.	Description	Qty.	Ref.No.	Part No.	Description	Qty.
1	13115-147-000	CLIP, PISTON PIN 10mm.....	1	17	90608-072-000	WASHER 12mm.....	1
2	22100-NN4-000	OUTER COMP., CLUTCH	1	18	91001-147-003	BEARING., NEEDLE 12mm	1
3	22121-NN4-000	CENTER, CLUTCH	1	19	91011-KS6-003	BEARING., NEEDLE 25X29X22	1
4	22201-KY2-000	DISK, CLUTCH FRICTION	4	20	22403-NN4-L60	WASHER SPG CLUTCH.....	6
5	22201-NN4-B00	DISK, CLUTCH FRICTION (PAPER).....	2				
6	22321-MG3-000	PLATE, CLUTCH.....	5				
7	22351-NN4-000	PLATE, CLUTCH PRESSURE.....	1				
8	22352-NN4-000	PIECE, CLUTCH LIFTER	1				
9	22361-NN4-000	PLATE, CLUTCH LIFTER.....	1				
10	22402-NN4-000	SPRING, CLUTCH	6				
11	28237-KZ4-A10	COLLAR, CLUTCH OUTER	1				
12	90004-GHB-660	BOLT, FLANGE, NSHF, 6X22	6				
13	90201-NN3-000	NUT, 18mm.....	1				
14	90432-KF0-000	WASHER LOCK.....	1				
15	90456-KS6-000	WASHER, THRUST, 20mm.....	1				
16	90501-ML3-910	WASHER, 18X32X2	1				

Block No.
E-07
Oil pump



Ref.No.	Part No.	Description	Qty.	Ref.No.	Part No.	Description	Qty.
1	15111-NN4-000	SHAFT, OIL PUMP.....	1				
2	15133-NN4-000	GEAR, OIL PUMP DRIVEN.....	1				
3	15331-324-000	ROTOR INNER OIL PUMP.....	1				
4	15332-324-000	ROTOR OUTER OIL PUMP.....	1				
5	96220-30178	ROLLER, 3X17.8.....	1				

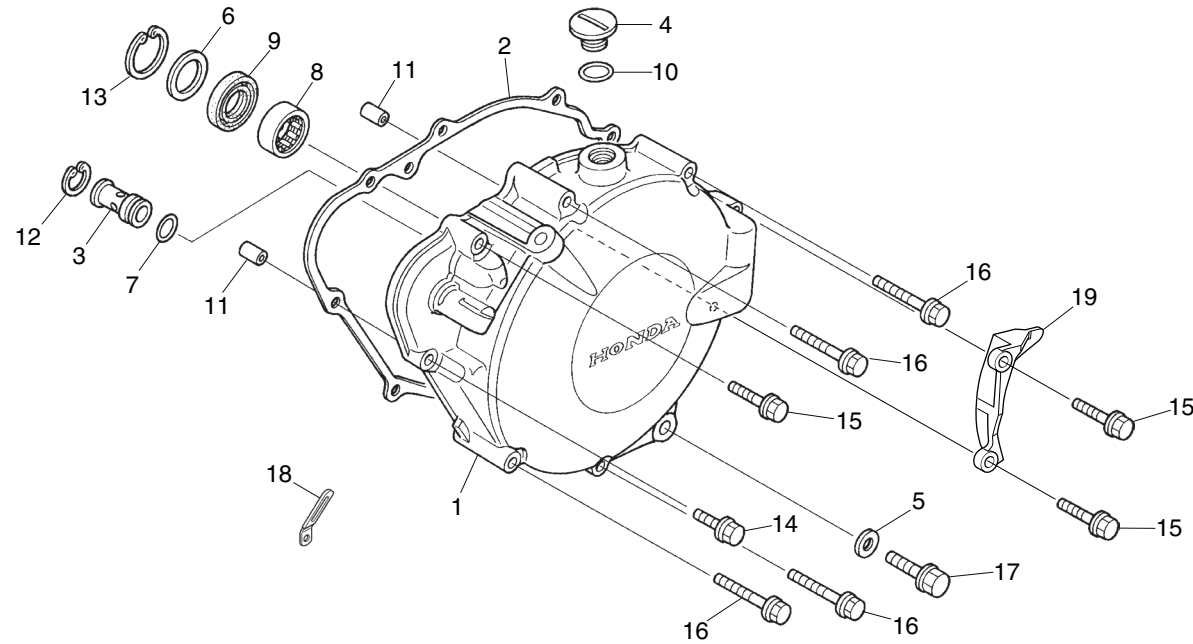
Block No.
E-08
Water pump



FR. →

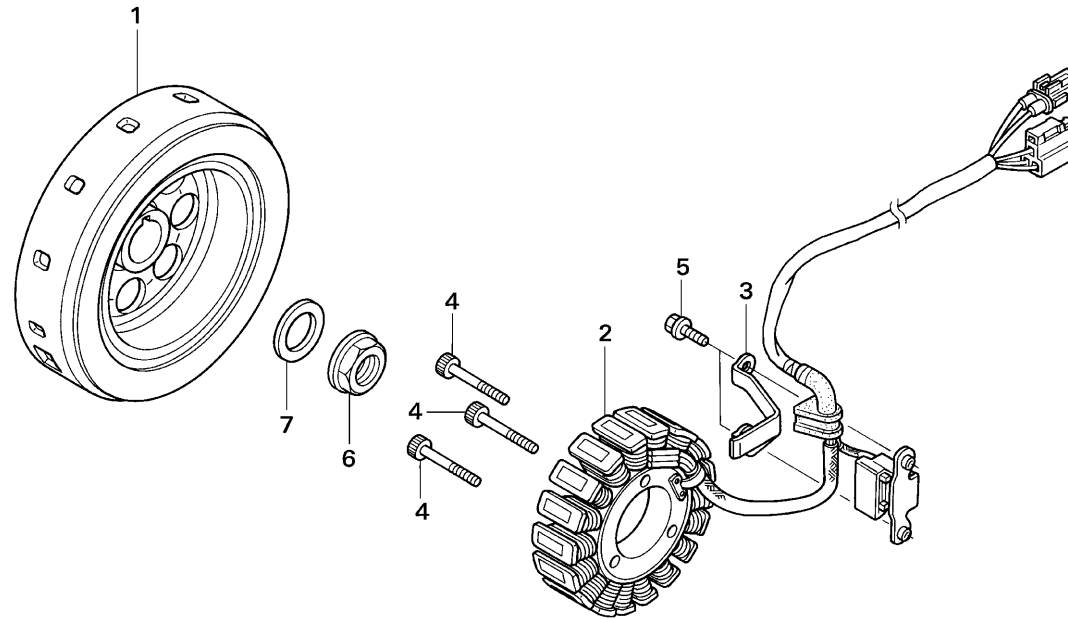
Ref.No.	Part No.	Description	Qty.	Ref.No.	Part No.	Description	Qty.
1	19215-GC4-731	IMPELLER, WATER PUMP	1				
2	19221-NN4-000	COVER, WATER PUMP	1				
3	19229-NN4-000	GASKET, W/P COVER	1				
4	19240-NN4-010	GEAR COMP., WATER PUMP.....	1				
5	90447-KE1-000	WASHER, SEALING, 7mm	1				
6	90456-333-000	WASHER, THRUST 11mm	1				
7	90463-ML7-000	WASHER, SEALING, 6.5mm	1				
8	91001-KA4-003	BEARING., BALL, 12X28X7	1				
9	91201-148-003	OIL SEAL, 12X22X5	1				
10	91211-KA3-761	SEAL, WATER PUMP.....	1				
11	91320-KE1-000	PIN, DOWEL SPC. 8X7	2				
12	96001-06025-00	BOLT, FLANGE, 6X25	1				
13	96001-06050-00	BOLT, FLANGE, 6X50	2				
14	96001-06060-00	BOLT, FLANGE, 6X60	1				

Block No.
E-09
LH. Crankcase cover



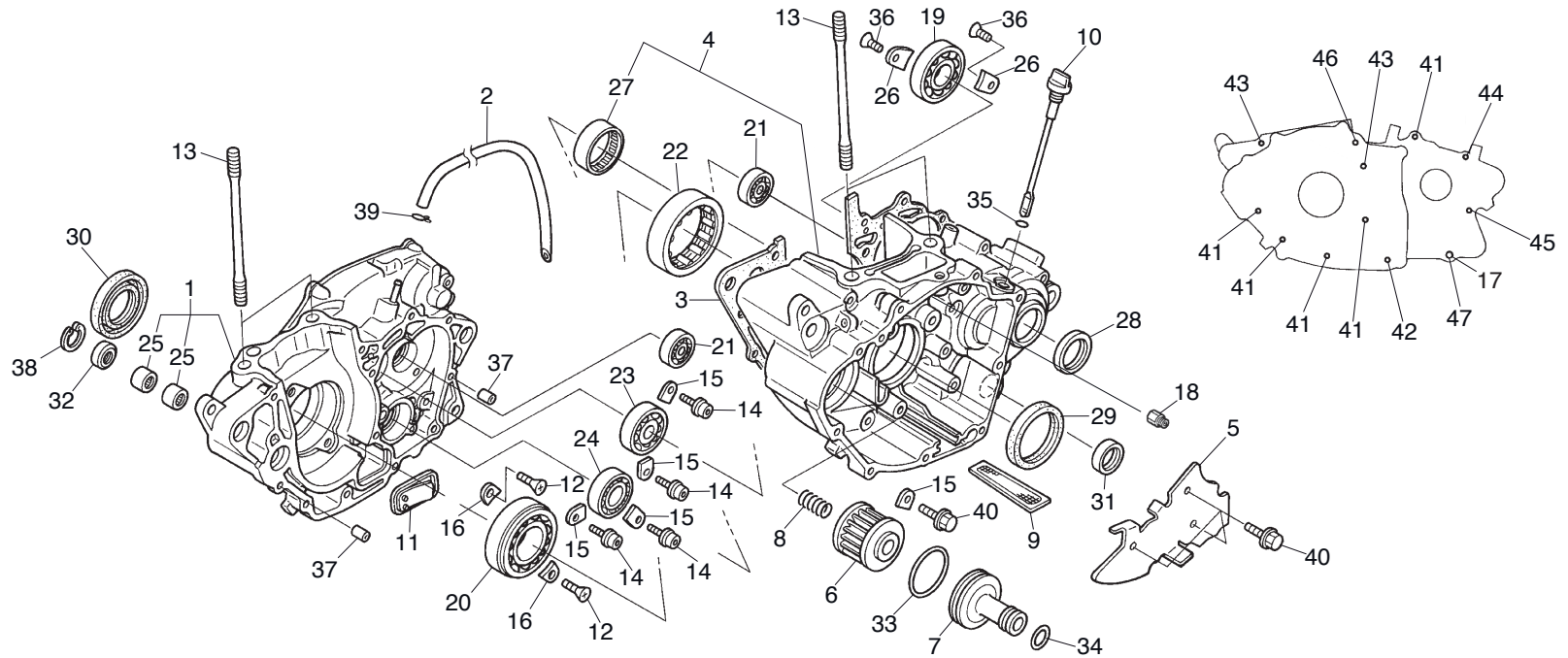
Ref.No.	Part No.	Description	Qty.	Ref.No.	Part No.	Description	Qty.
1	11340-NN4-P60	COVER COMP., LH. (BLACK) CRANK CASE	1	17	96300-08035-00	BOLT, FLANGE, DR, 8X35	1
2	11395-NN4-000	GASKET, LH. COVER	1	18	91410-KT7-000	CLIP, 4X60	1
3	15220-MEB-770	VALVE ASSY., RELIEF.....	1	19	23811-NN4-N10	PROTECTOR SPKT, DRIVEN.....	1
4	90084-428-000	CAP, ACG.....	1				
5	90441-ME9-000	WASHER, SEALING 8mm	1				
6	90454-GF9-000	WASHER, 20.2mm.....	1				
7	90751-GK1-003	O-RING 8.5X1.7.....	1				
8	91008-NN4-003	BEARING, NEEDLE 15X25X12	1				
9	91202-NN4-003	OIL SEAL, 15X26X5.....	1				
10	91303-377-000	O-RING, 13.8X2.5.....	1				
11	94301-08100	PIN, DOWEL 8X10.....	2				
12	94520-14000	CIRCLIP, IN, 14	1				
13	94520-28000	CIRCLIP, IN, 28	1				
14	96001-06028-00	BOLT, FLANGE, 6X28	1				
15	96001-06035-00	BOLT, FLANGE, 6X35.....	3				
16	96001-06050-00	BOLT, FLANGE, 6X50	4				

Block No.
E-10
Generator



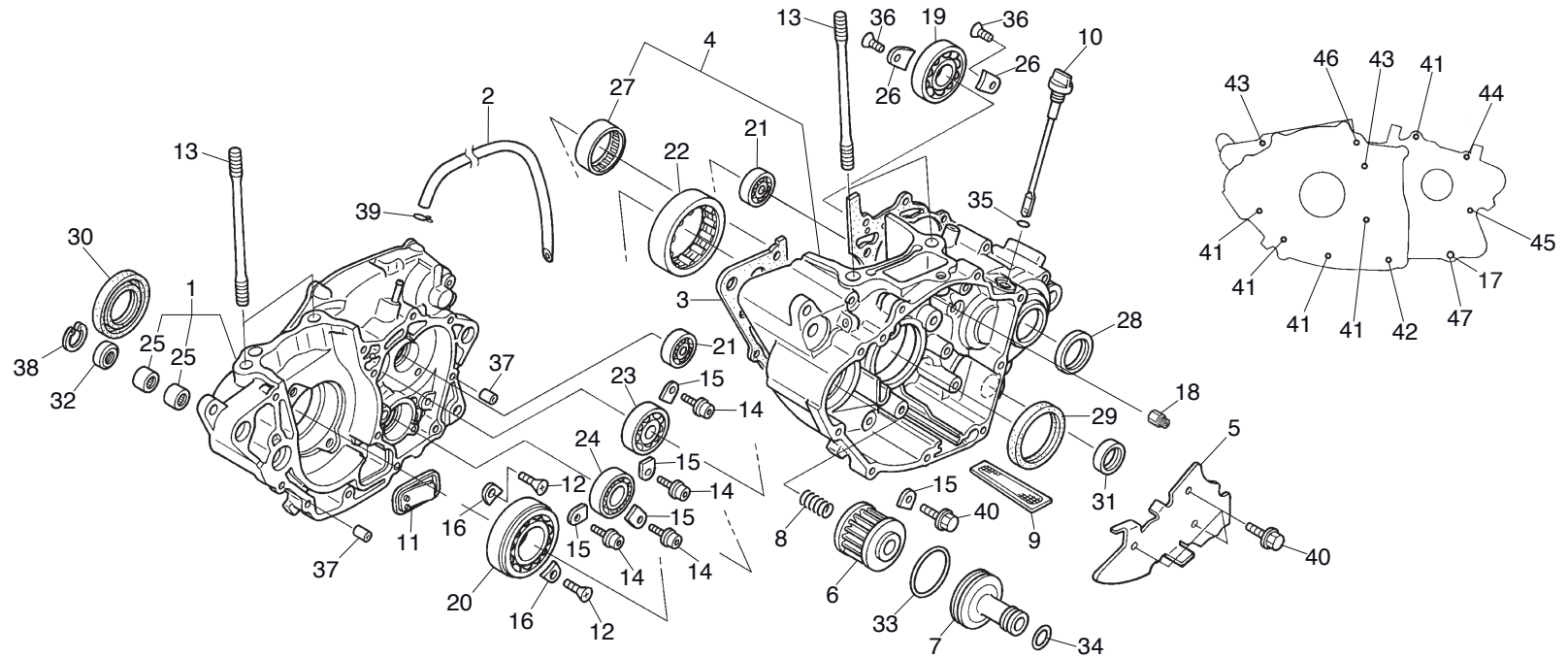
Ref.No.	Part No.	Description	Qty.	Ref.No.	Part No.	Description	Qty.
1	31110-NN4-003	FLYWHEEL COMP.	1				
2	31120-NN4-B01	STATOR COMP.	1				
3	31121-NN4-000	CLAMPER, ACG CORD.....	1				
4	90001-NN4-000	BOLT, SOCKET 5X28.....	3				
5	90005-896-000	BOLT, FLANGE 5X16.....	2				
6	90201-NN4-000	NUT, FLANGE 18mm.....	1				
7	90402-NN4-000	WASHER, 18mm.....	1				

Block No.
E-11
Crankcase



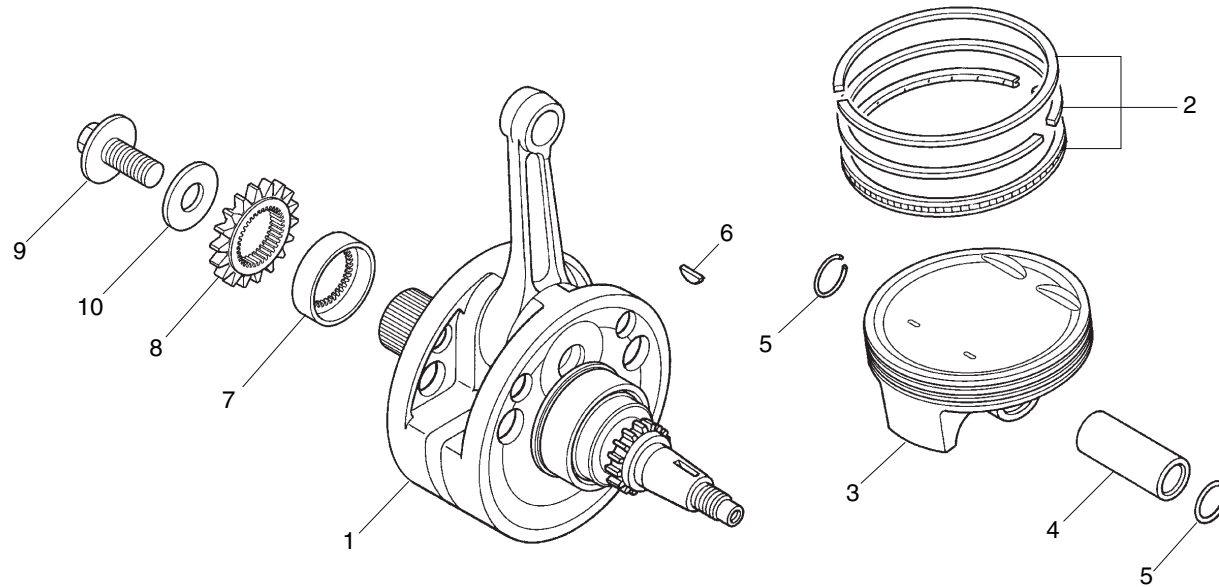
Ref.No.	Part No.	Description	Qty.	Ref.No.	Part No.	Description	Qty.
1	11100-NN4-P60	CRANKCASE COMP, RIGHT	1	17	90441-ME9-000	WASHER, SEALING 8mm	1
2	11105-NN4-000	TUBE, BREATHER	1	18	90901-NN4-P60	ORIFICE #225	1
3	11191-NN4-000	GASKET, CRANKCASE	1	19	91001-KA3-711	BEARING, BALL, 6204	1
4	11200-NN4-P60	CRANKCASE COMP, LEFT	1	20	91001-KRN-671	BEARING, BALL RADIAL 30X72X16	1
5	11206-NN4-000	PLATE, CAM CHAIN GUIDE	1	21	91001-KZ4-J11	BEARING, BALL RADIAL 17X35X10	2
6	15412-MEN-671	FILTER COMP, ENGINE OIL	1	22	91002-NN4-003	BEARING, ROLLER SPL	1
7	15412-NN4-000	COVER, OIL FILTER	1	23	91004-KRN-671	BEARING, BALL RADIAL 22X47X14	1
8	15414-MEB-670	SPRING, OIL FILTER	1	24	91004-KY4-900	BEARING, BALL RADIAL 6905U	1
9	15421-NN4-000	SCREEN, OIL FILTER	1	25	91006-HA0-003	BEARING, NEEDLE 9mm	2
10	15650-NN4-000	GAUGE, OIL LEVEL	1	26	91012-KA3-710	PLATE, C-SHAFT BEARING.	2
11	18601-MBW-003	REED VALVE COMP.	1	27	91022-KA4-740	BEARING, SHELL 33X38X8	1
12	90003-KRN-670	SCREW, FLAT SPL 6X12	2	28	91201-KS6-004	OIL SEAL, 26X37X7	1
13	90031-NN4-000	BOLT, STUD 10X110	4	29	91201-MEB-671	OIL SEAL, 35X52X7	1
14	90071-MF5-000	BOLT, SOCKET FLANGE 6X14	4	30	91202-MEB-671	OIL SEAL, 39X56X7	1
15	90441-KA4-700	PLATE, BEARING HOLD	5	31	91203-KA4-771	OIL SEAL, 14X22X5	1
16	90441-KRN-670	PLATE, BEARING HOLD	2	32	91204-HB3-004	OIL SEAL, 9X18X5	1

Block No.
E-11
Crankcase



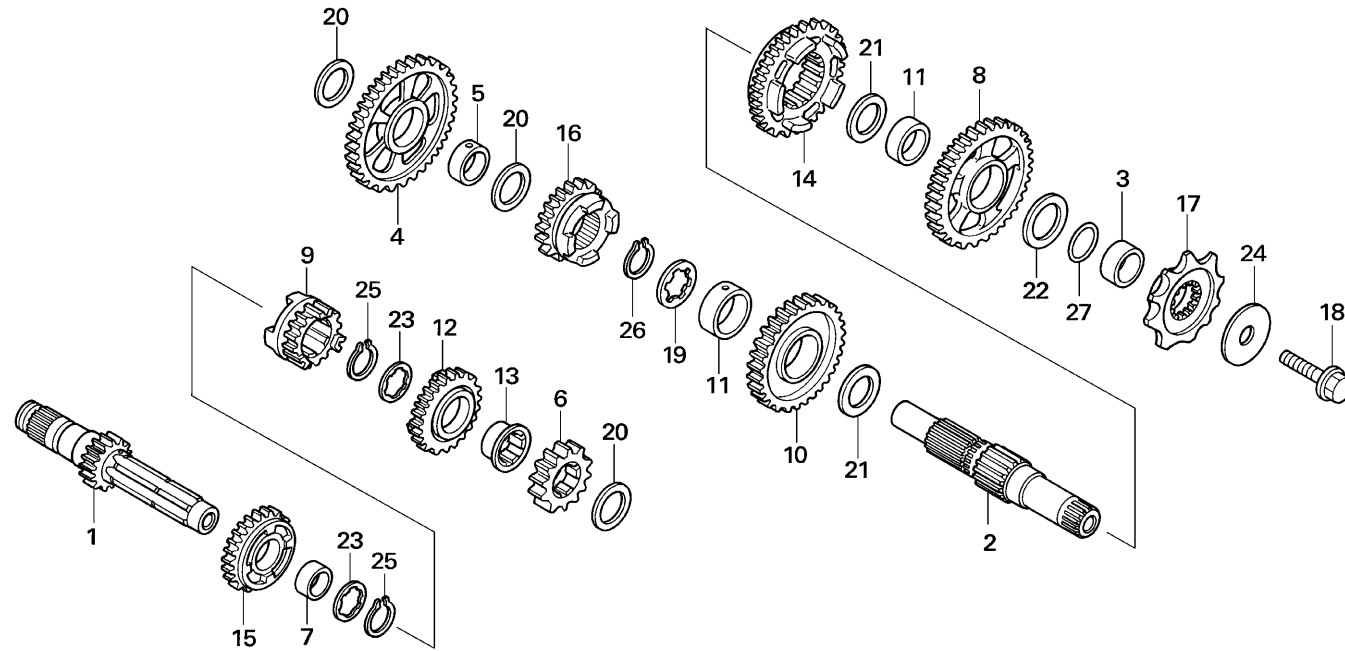
Ref.No.	Part No.	Description	Qty.	Ref.No.	Part No.	Description	Qty.
33	91302-PA9-003	O-RING, 39.8X2.2.....	1				
34	91303-HA0-003	O-RING, 11X1.9.....	1				
35	91316-MJ8-003	O-RING, 8.4X2.4.....	1				
36	93600-06010-0H	SCREW, FLAT 6X10.....	2				
37	94301-08140	DOWEL PIN, 8X14.....	2				
38	94520-19000	CIRCLIP, IN, 19.....	1				
39	95002-02100	CLIP B10, TUBE.....	1				
40	96001-06014-00	BOLT, FLANGE, 6X14.....	4				
41	96001-06045-00	BOLT, FLANGE, 6X45.....	5				
42	96001-06055-00	BOLT, FLANGE, 6X55.....	1				
43	96001-06070-00	BOLT, FLANGE, 6X70.....	2				
44	96001-06075-00	BOLT, FLANGE, 6X75.....	1				
45	96001-06080-00	BOLT, FLANGE, 6X80.....	1				
46	96001-06085-00	BOLT, FLANGE, 6X85.....	1				
47	96300-08070-00	BOLT, FLANGE, DR, 8X70.....	1				

Block No.
E-12
Crankshaft
Piston



Ref.No.	Part No.	Description	Qty.	Ref.No.	Part No.	Description	Qty.
1	1300A-NN4-P60	CRANK SHAFT COMP.....	1				
2	13011-NN4-P60	RING SET, PISTON.....	1				
3	13101-NN4-P60	PISTON.....	1				
4	13111-NN4-L60	PIN, PISTON.....	1				
5	13115-NN4-L60	CLIP, PISTON PIN 16mm.....	2				
6	13331-Z8B-900	KEY SPECIAL WOODRUFF, 25X18.....	1				
7	13617-NN4-000	COLLAR, DRIVE GEAR.....	1				
8	23121-NN4-000	GEAR, PRIMARY DRIVE.....	1				
9	90013-NN4-000	BOLT, SPECIAL 12X27.....	1				
10	90402-KY4-900	WASHER, PLAIN, 12mm.....	1				

Block No.
E-13
Transmission

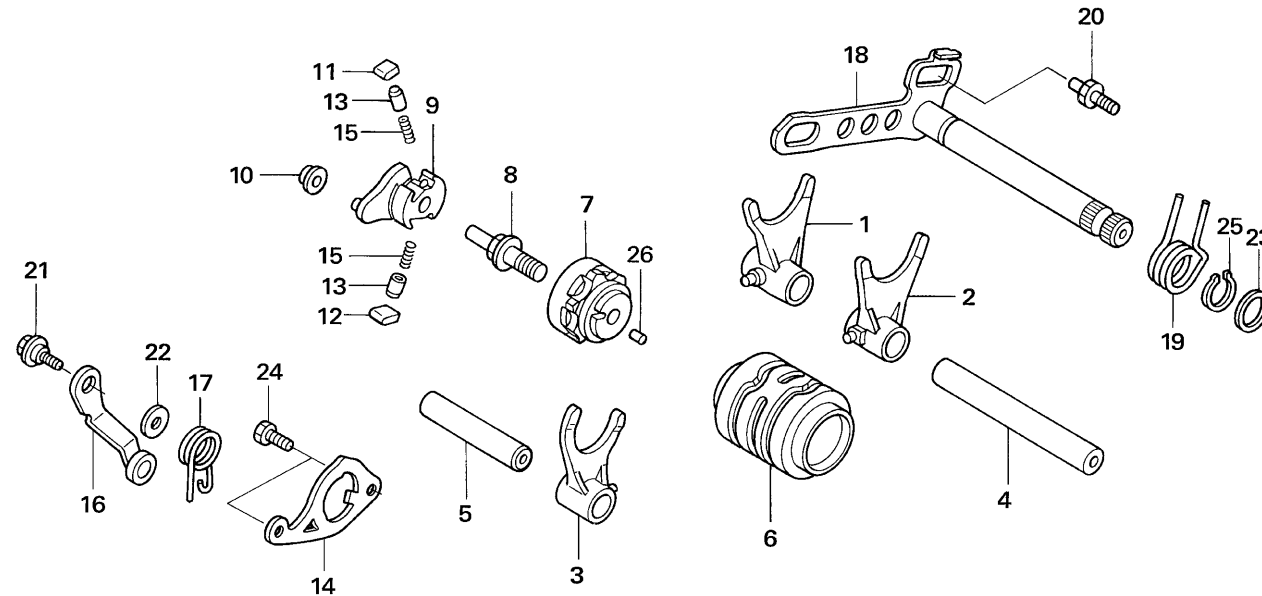


Ref.No.	Part No.	Description	Qty.	Ref.No.	Part No.	Description	Qty.
1	23211-NN4-000	SHAFT, MAIN.....	1	17	23801-NN4-000	SPROCKET, DRIVE 10T.....	1
2	23221-NN4-000	SHAFT, COUNTER.....	1	18	90112-413-000	BOLT, UBS 8X33.....	1
3	23225-KS6-000	COLLAR, C-SHAFT.....	1	19	90404-KW3-000	WASHER, THRUST, INV 22X21X1.....	1
4	23411-NN4-000	GEAR, C-LOW.....	1	20	90446-357-000	WASHER, THRUST 17.2mm.....	3
5	23413-NN4-000	COLLAR, 17mm.....	1	21	90452-KZ4-000	WASHER, THRUST 20X30X1.....	2
6	23421-NN4-000	GEAR, M-2ND.....	1	22	90453-KZ4-000	WASHER, THRUST 20X30X1.5.....	1
7	23422-GB4-770	BUSH, 20X9.....	1	23	90461-444-000	WASHER, SPLINE 20.....	2
8	23431-NN4-000	GEAR, C-2ND.....	1	24	90501-NN4-003	WASHER, SPRING 8X33.....	1
9	23441-NN4-000	GEAR, M-3RD.....	1	25	90601-360-000	SET RING 20mm.....	2
10	23451-NN4-000	GEAR, C-3RD.....	1	26	90602-360-000	SET RING 22mm.....	1
11	23452-NN4-000	COLLAR, C-3RD GEAR.....	2	27	91351-KA3-711	O-RING, 20mm.....	1
12	23461-NN4-000	GEAR, M-4TH.....	1				
13	23462-NN4-000	COLLAR, M-4TH GEAR.....	1				
14	23471-NN4-000	GEAR, C-4TH.....	1				
15	23481-NN4-000	GEAR, M-5TH.....	1				
16	23491-NN4-000	GEAR, C-5TH.....	1				

Block No.

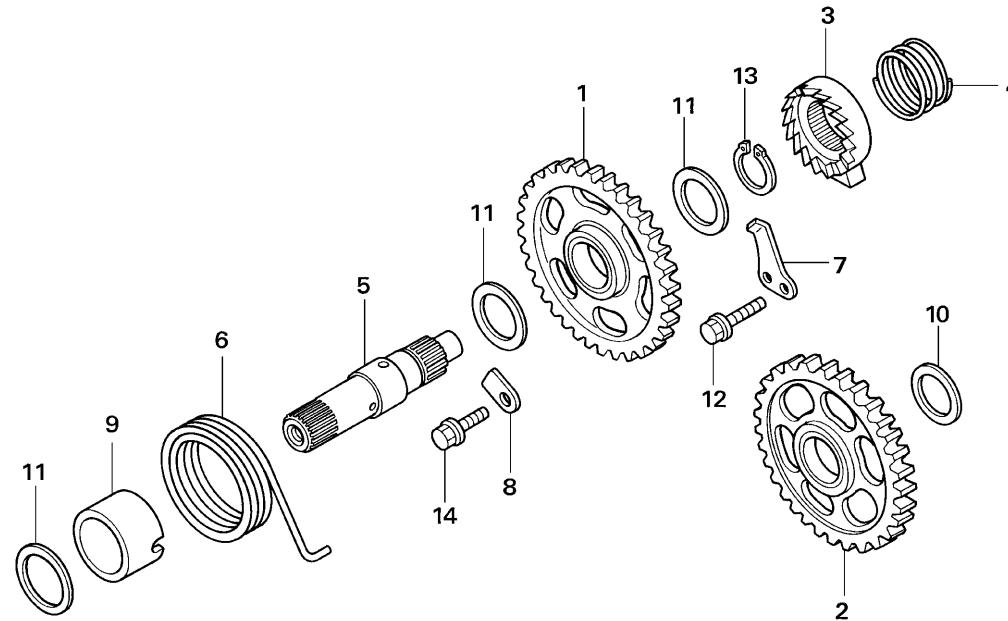
E-14

Gearshift drum



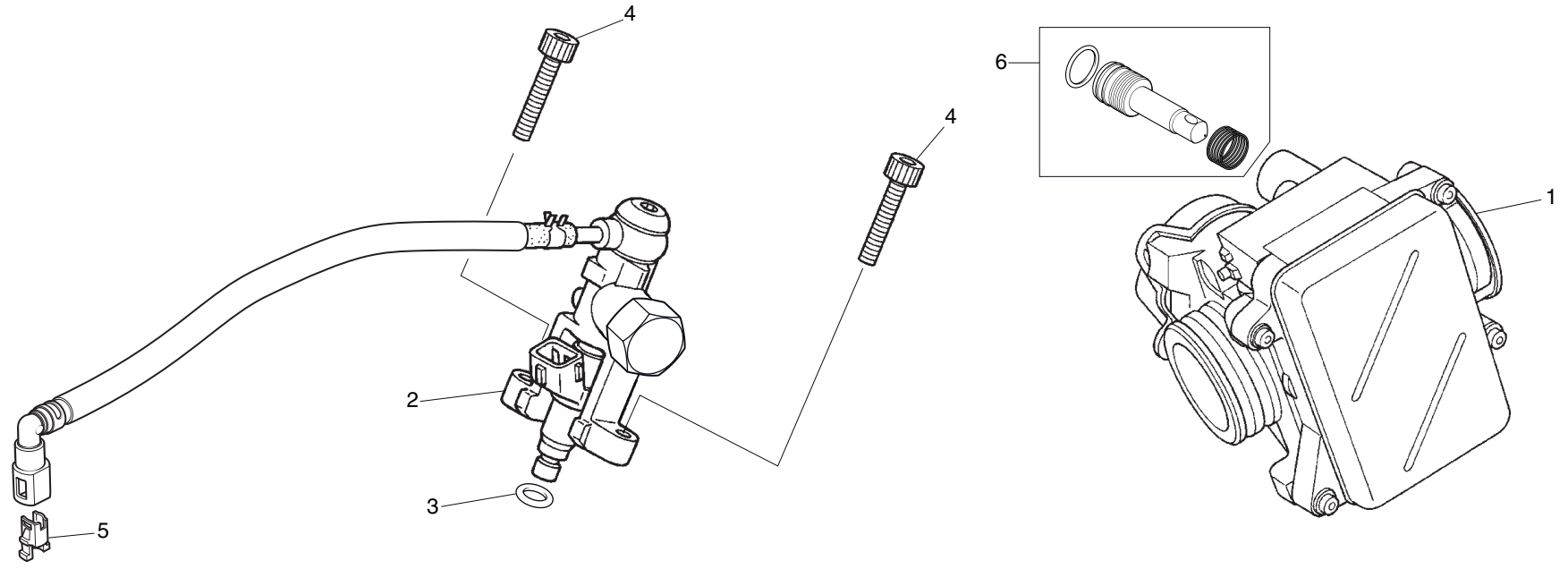
Ref.No.	Part No.	Description	Qty.	Ref.No.	Part No.	Description	Qty.
1	24211-KRN-730	FORK RH., GEAR SHIFT	1	17	24435-KA3-710	SPRING, DRUM STPR.....	1
2	24221-KRN-730	FORK LH., GEAR SHIFT	1	18	24610-NN4-000	SPDL COMP., GEAR SHIFT	1
3	24231-NN4-000	FORK C, GEAR SHIFT	1	19	24651-MEB-670	SPRING, SHIFT RETURN	1
4	24241-MEN-670	SHAFT A, SHIFT FORK	1	20	24652-HA0-000	PIN, GEAR SHIFT RETURN SPRING.	1
5	24242-MEN-670	SHAFT B, SHIFT FORK	1	21	90022-MG8-000	PIVOT, SHIFT DRUM STOPPER ARM	1
6	24311-NN4-000	DRUM, GEAR SHIFT	1	22	90435-HB3-000	WASHER, 6.1mm.....	1
7	24312-KA3-741	CENTER, SHIFT DRUM	1	23	90451-155-000	WASHER, 14mm.....	1
8	24315-HA0-000	PIN. SHIFTER	1	24	93301-06016-0A	BOLT, HEX., 6x16mm	2
9	24321-KZ4-620	SHIFTER, DRUM	1	25	94510-14000	CIRCLIP, EX, 14	1
10	24322-MM4-000	COLLAR, DRUM SHIFTER	1	26	96220-40080	ROLLER, 4X8.....	1
11	24324-KA3-711	PAWL A, RATCHET	1				
12	24325-KA3-711	PAWL B, RATCHET	1				
13	24326-KBH-901	PLUNGER, PAWL	2				
14	24328-NN4-000	PLATE, GUIDE	1				
15	24329-KA3-740	SPRING, PAWL PLUNGER.....	2				
16	24430-NN4-000	STPR COMP., DRUM.....	1				

Block No.
E-15
Kick starter spindle



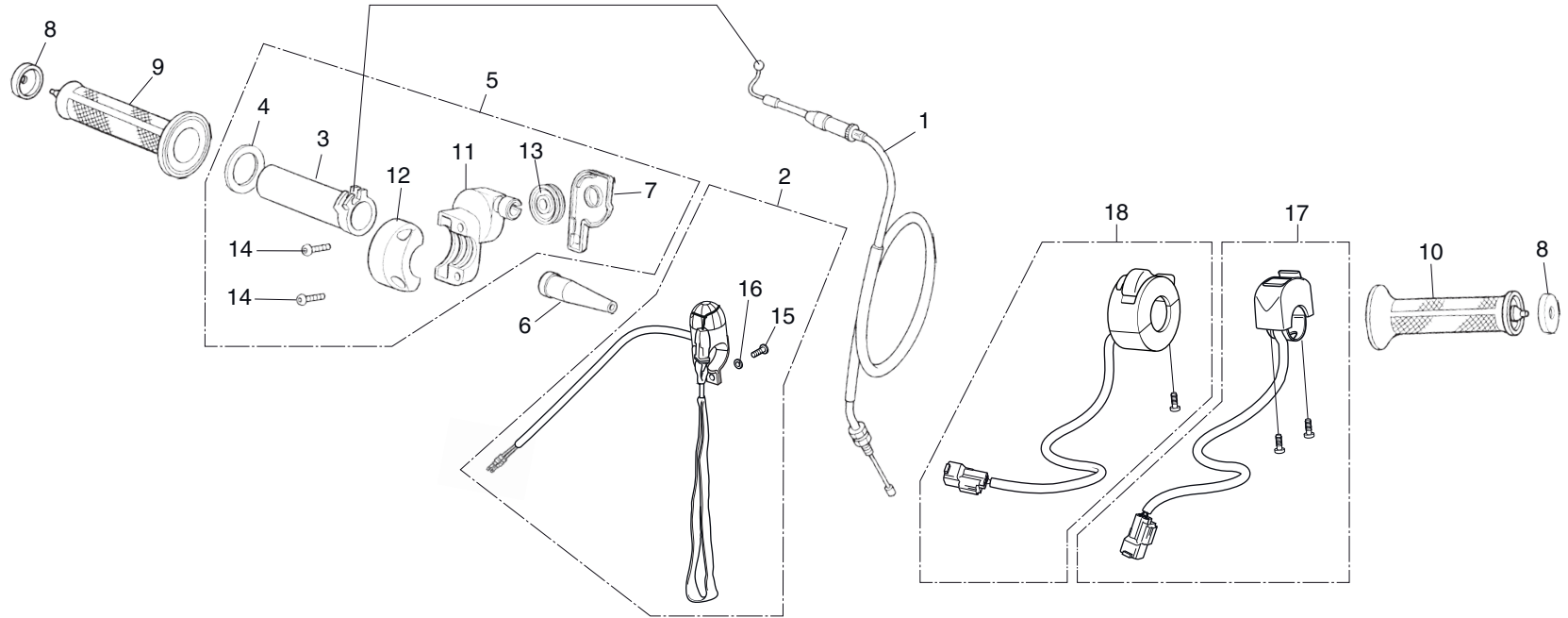
Ref.No.	Part No.	Description	Qty.	Ref.No.	Part No.	Description	Qty.
1	28210-NN4-000	PINION COMP., KICK STARTER.....	1				
2	28230-NN4-000	GEAR COMP., STARTER IDLE.....	1				
3	28241-KA3-710	RATCHET, STARTER.....	1				
4	28242-KA3-710	SPRING, RATCHET	1				
5	28251-NN4-000	SPINDLE, KICK START.....	1				
6	28261-KA3-710	SPRING, START RETURN	1				
7	28262-NN4-010	PLATE, RATCHET SLIDER.....	1				
8	28263-NN4-000	PLATE, KICK SPRING.....	1				
9	28282-NN4-000	COLLAR, KICK SPRING.....	1				
10	90452-178-000	WASHER, THRUST 17mm	1				
11	90501-444-000	WASHER, 16.8X24	3				
12	90085-MCS-000	BOLT, TORX., 6 mm.....	1				
13	94510-16000	CIRCLIP, EX, 16	1				
14	96001-06014-00	BOLT, FLANGE, 6X14	1				

Block No.
E-16
Throttle body
injector



Ref.No.	Part No.	Description	Qty.	Ref.No.	Part No.	Description	Qty.
1	16400-NN4-P61	THROTTLE BODY ASSY (ED/2ED).....	1				
	16400-NN4-P71	THROTTLE BODY ASSY (3ED/4ED).....	1				
2	16420-NN4-L10	HOLDER INJECTOR ASSY.....	1				
3	91302-PNA-003	O-RING, 7.8X1.9.....	1				
4	96700-06022-00	SOCKET BOLT 6X22	2				
5	17711-S0X-931	RETAINER.....	1				
6	16016-NN4-003	SCREW SET	1				

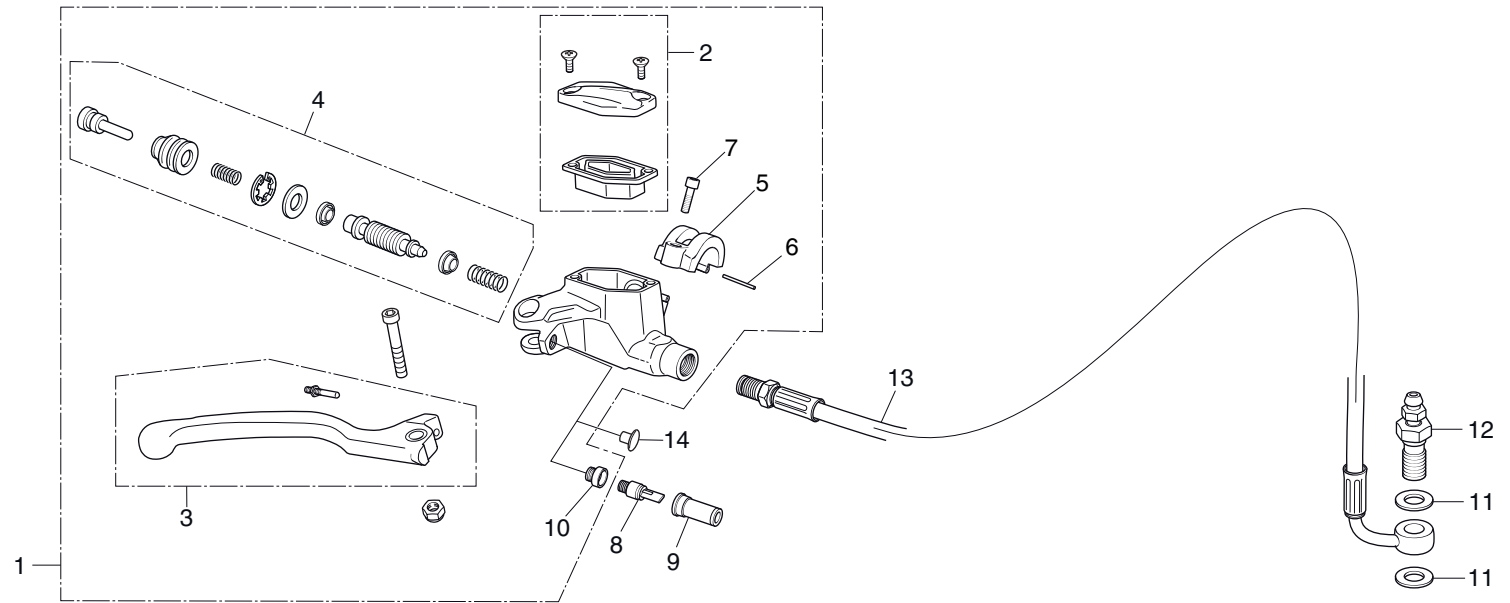
Block No.
F-01
Cable
Switch



FR. ↙

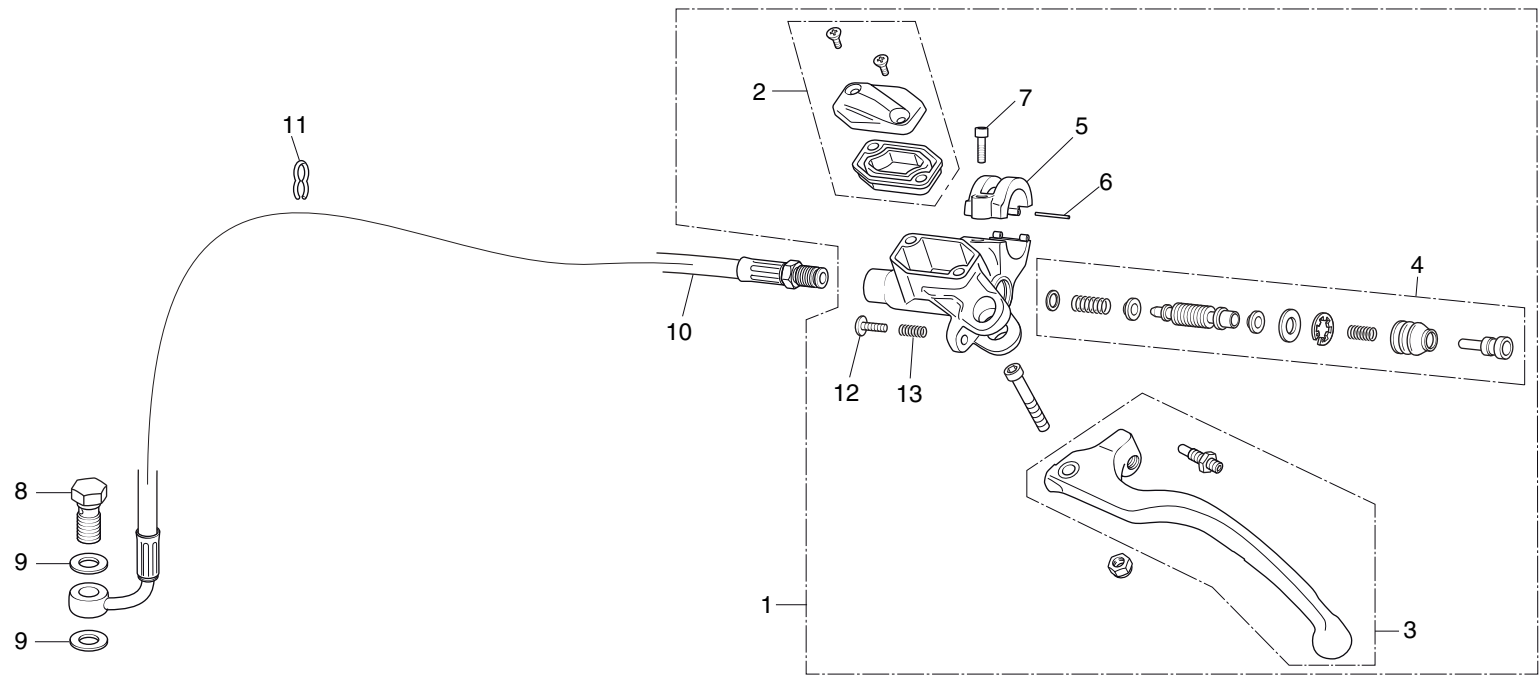
Ref.No.	Part No.	Description	Qty.	Ref.No.	Part No.	Description	Qty.
1	17910-NN4-B01	CABLE COMP., THROT	1	17	35400-NN4-D00	ENGINE MAP SWITCH (3ED/4ED)	1
2	35130-NN4-M60	SW ASSY., KILL	1	18	35150-NN4-L10	SWITCH ASSY., LIGHT (ED/2ED)	1
3	53141-NN4-000	PIPE, THROT GRIP	1				
4	53142-NN3-000	RING, LEAF	1				
5	53160-NN4-000	SUB ASSY., THROTTLE	1				
6	53161-NN3-000	COVER, THROT CABLE	1				
7	53163-NN2-900	COVER, THROT HOUSING	1				
8	53164-KR8-000	COVER, GRIP END	2				
9	53165-KR8-000	GRIP R, HANDLE	1				
10	53166-KR8-000	GRIP L, HANDLE	1				
11	53167-NN2-900	HOUSING UP, THROT	1				
12	53168-NN2-900	HOUSING LWR, THROT	1				
13	53169-NN2-900	PULLEY, THROT	1				
14	90107-NN3-000	SOCKET BOLT, 5X16	2				
15	93500-04012-1A	SCREW, PAN 4X12	1				
16	94111-04000	WASHER, SPRING 4mm	1				

Block No.
F-02
Front brake master cylinder



Ref.No.	Part No.	Description	Qty.	Ref.No.	Part No.	Description	Qty.
1	45500-NN4-N60	M/C ASSY., FR.....	1				
2	45540-NN4-L60	TANK CAP.....	1				
3	53170-NN4-K20	LEVER ASSY., TITAN R.....	1				
4	45530-NN4-N10	PISTON SET	1				
5	22882-NN4-N60	BRAKE LEVER HOLDER	1				
6	90089-NN4-L60	PIN HOLDER	1				
7	90088-NN4-J10	BOLT, SOCKET 5X16.....	1				
8	35350-NN4-600	SWITCH ASSY. FRONT CALIPER (ED/2ED).....	1				
9	35351-NN4-600	RUBBER COVER (ED/2ED)	1				
10	35343-NN4-N10	COLLAR, REAR BRAKE	1				
11	90548-NN4-J10	WASHER, OIL BOLT	2				
12	90005-NN4-J10	BLEEDER BOLT M8X100.....	1				
13	45125-NN4-J11	HOSE, FR BRAKE.....	1				
14	35344-NN4-N30	CAP HOLE, SWITCH (3ED/4ED).....	1				

Block No.
F-03
Clutch master cylinder

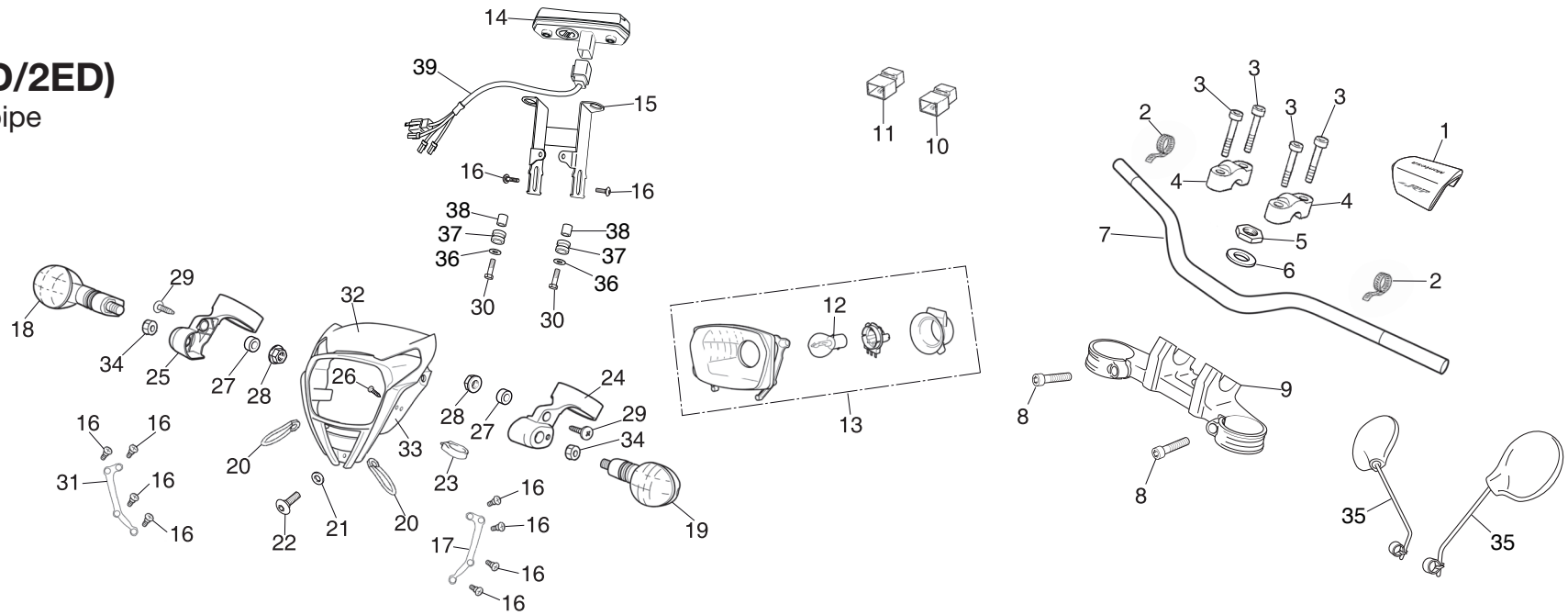


Ref.No.	Part No.	Description	Qty.	Ref.No.	Part No.	Description	Qty.
1	22880-NN4-N60	M/C ASSY., CLUTCH.....	1				
2	22883-NN4-L60	TANK CAP.....	1				
3	53180-NN4-J10	LEVER ASSY, TITAN L.....	1				
4	45530-NN4-N10	PISTON SET, CLUTCH.....	1				
5	22882-NN4-N60	CLUTCH LEVER HOLDER.....	1				
6	90089-NN4-L60	PIN HOLDER.....	1				
7	90088-NN4-J10	BOLT, SOCKET 5X16.....	1				
8	90145-NN4-J10	OIL BOLT, 10X21.....	1				
9	90545-NN4-J10	WASHER, OIL BOLT.....	2				
10	22900-NN4-J11	HOSE, CLUTCH.....	1				
11	90658-NN4-J10	CLIP.....	1				
12	53172-NN4-J30	BOLT.....	1				
13	53173-NN4-J30	SPRING.....	1				

Block No.

F-04 (ED/2ED)

Steering handle pipe
Top bridge
Head light

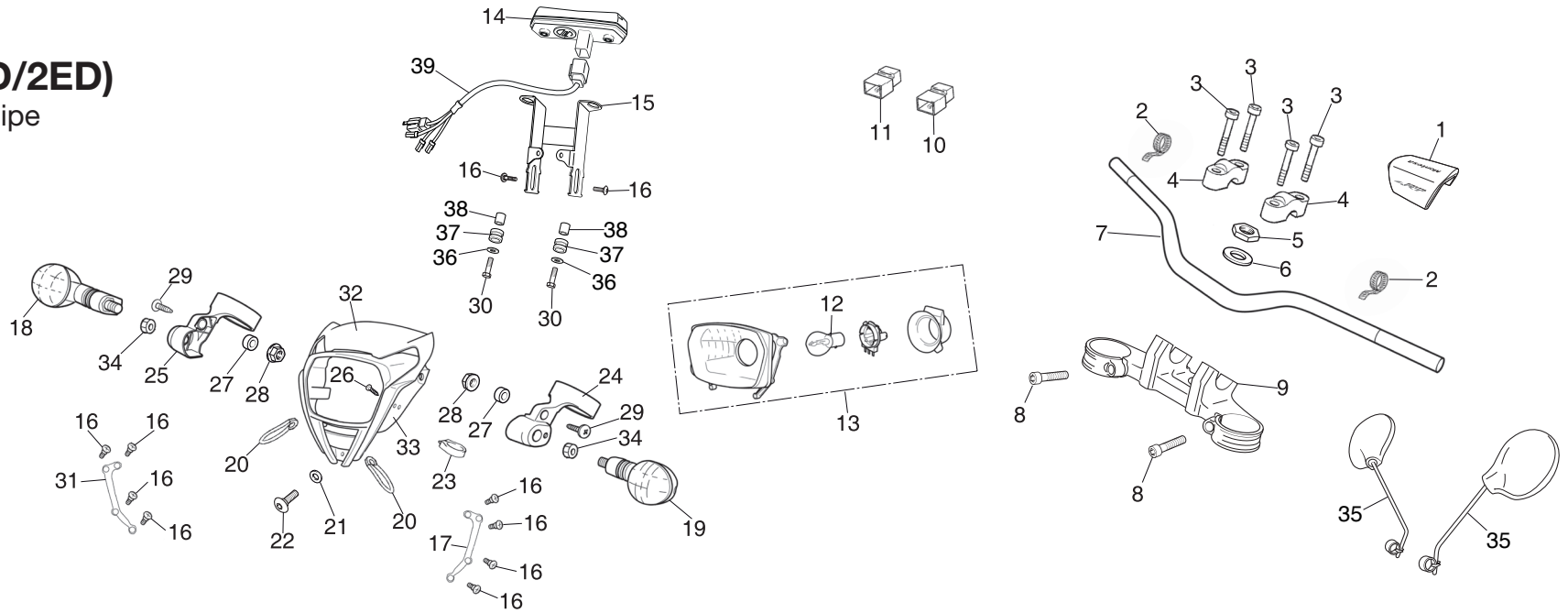


Ref.No.	Part No.	Description	Qty.	Ref.No.	Part No.	Description	Qty.
1	53121-NN4-V11	PAD PROTECTOR (ED).....	1	16	90129-NN4-C10	BOLT BZ 4,2X16 (DIN 7981)	10
	53121-NN4-K20	PAD PROTECTOR (2ED).....	1	17	61314-NN4-C10	STAY LH HEAD LIGHT	1
2	90602-NN4-600	TIE-BAND BLACK 150mm	2	18	33400-NN4-J10	WINKER ASSY RH FR	1
3	90124-KZ4-J40	BOLT, HEX. M8X35	4	19	33450-NN4-J10	WINKER ASSY LH FR	1
4	53131-NN4-J10	HOLDER, (HANDLE PIPE) UPPER	2	20	94591-27000	CLIP 2x70 MM	2
5	90304-MEE-D00	NUT, TOP BRIDGE.....	1	21	90526-NN4-C10	WASHER.....	1
6	53215-MEE-D00	WASHER, TOP BOLT.....	1	22	90121-NN4-C10	BOLT 6X10.....	1
7	53100-NN4-K20	PIPE, STRIG HANDLE "RENTHAL"	1	23	45468-NN2-000ZA	BRAKE HOSE GUIDE (BLACK)	1
8	96600-080-2810	SOCKET BOLT 8X28	2	24	61391-NN4-C10	STAY LH H/L CASE.....	1
9	53230-NN4-V60	TOP BRIDGE FORK.....	1	25	61390-NN4-C10	STAY RH H/L CASE	1
10	38500-GC7-612	RELAY ASSY. START	1	26	93913-14180	SCREW 4X10.....	1
11	38300-NN4-G10	RELAY, ASSY. WINKER.....	1	27	90506-NN4-C10	COLLAR.....	2
12	34901-NN2-900	BULB, HEAD LIGHT	1	28	90206-NN4-C10	NUT HEX 6 MM	2
13	33100-NN4-C10	LIGHT ASSY. HEAD	1	29	90120-NN4-C10	BOLT 6X20.....	2
14	37200-NN4-P10	SPEEDOMETER	1	30	92301-04012-0A	SCREW 4X10.....	2
15	61319-NN4-P10	SPEEDOMETER STAY	1	31	61313-NN4-C10	STAY RH HEAD LIGHT	1

Block No.

F-04 (ED/2ED)

Steering handle pipe
Top bridge
Head light

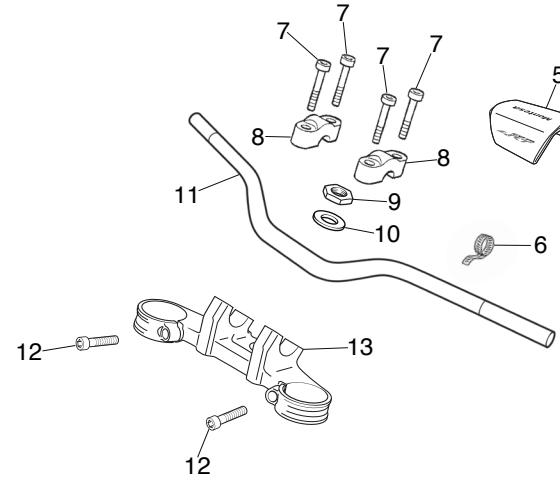
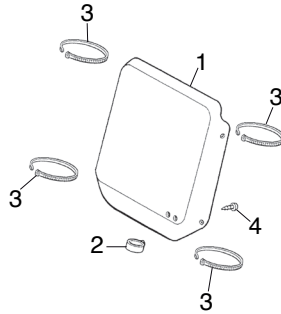


Ref.No.	Part No.	Description	Qty.	Ref.No.	Part No.	Description	Qty.
32	61320-NN4-C10ZB	VISOR H/L BLACK.....	1				
33	61310-NN4-C10ZB	CASE GEAD LIGHT BLACK	1				
34	94050-10000	NUT FLANGE 10 MM	2				
35	88100-NN4-H11	REAR VIEW MIRROR.....	2				
36	94103-04700	WASHER D4	2				
37	18345-MBT-610	RUBBER	2				
38	90507-NN4-P10	COLLAR 8X4.3X5	2				
39	37105-NN4-P10	SPEEDOMETER HARNESS.....	1				

Block No.

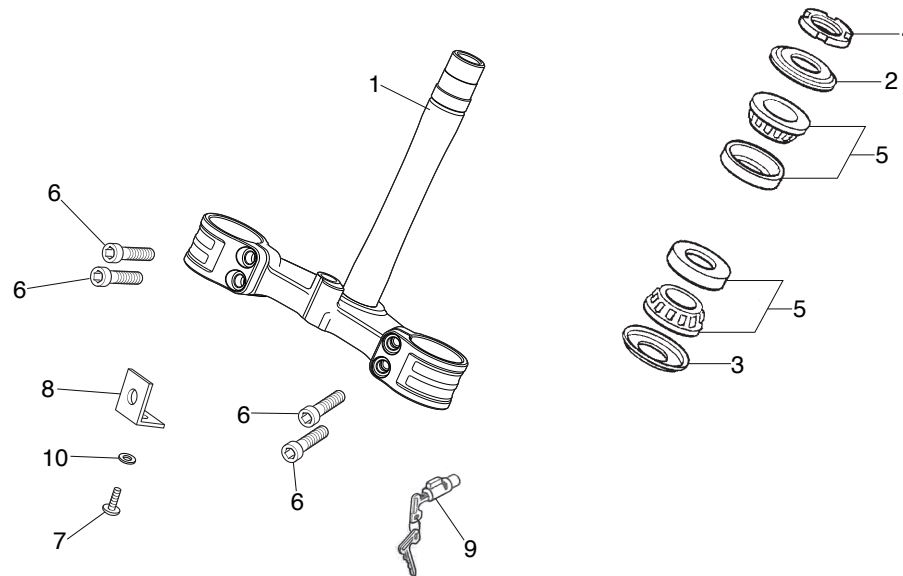
F-04 (3ED/4ED)

Steering handle pipe
Top bridge



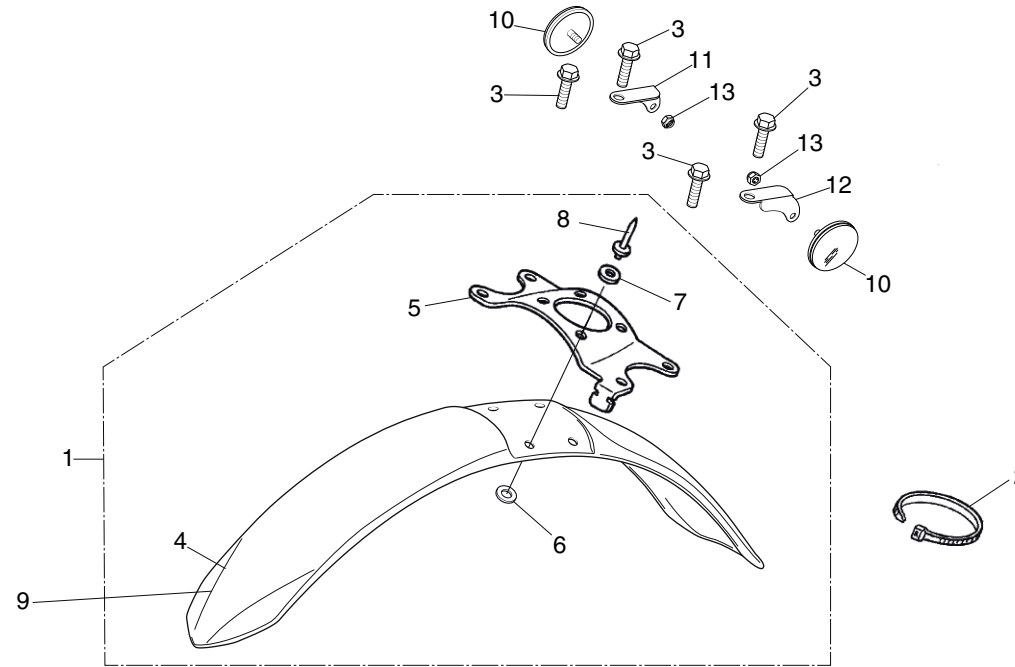
Ref.No.	Part No.	Description	Qty.	Ref.No.	Part No.	Description	Qty.
1	61301-NN3-000	PLATE NUMBER	1				
2	45468-NN2-000ZB	GUIDE, BRK HOSE	1				
3	61312-NN4-D10	TIE BAND	4				
4	93913-14180	SCREW, TAPPING 4X10	1				
5	53121-NN4-V11	PAD PROTECTOR (3ED).....	1				
	53121-NN4-K20	PAD PROTECTOR (4ED).....	1				
6	90602-NN4-600	TIE-BAND 150mm	1				
7	90124-KZ4-J40	BOLT, HEX. M8X35	4				
8	53131-NN4-J10	HOLDER, (HANDLE PIPE) UPPER	2				
9	90304-MEE-D00	NUT, TOP BRIDGE.....	1				
10	53215-MEE-D00	WASHER, TOP BOLT.....	1				
11	53100-NN4-K20	PIPE, STRIG HANDLE "RENTHAL"	1				
12	96600-080-2810	SOCKET BOLT 8X28	2				
13	53230-NN4-V60	FORK TOP BRIDGE.....	1				

Block No.
F-05
Steering stem



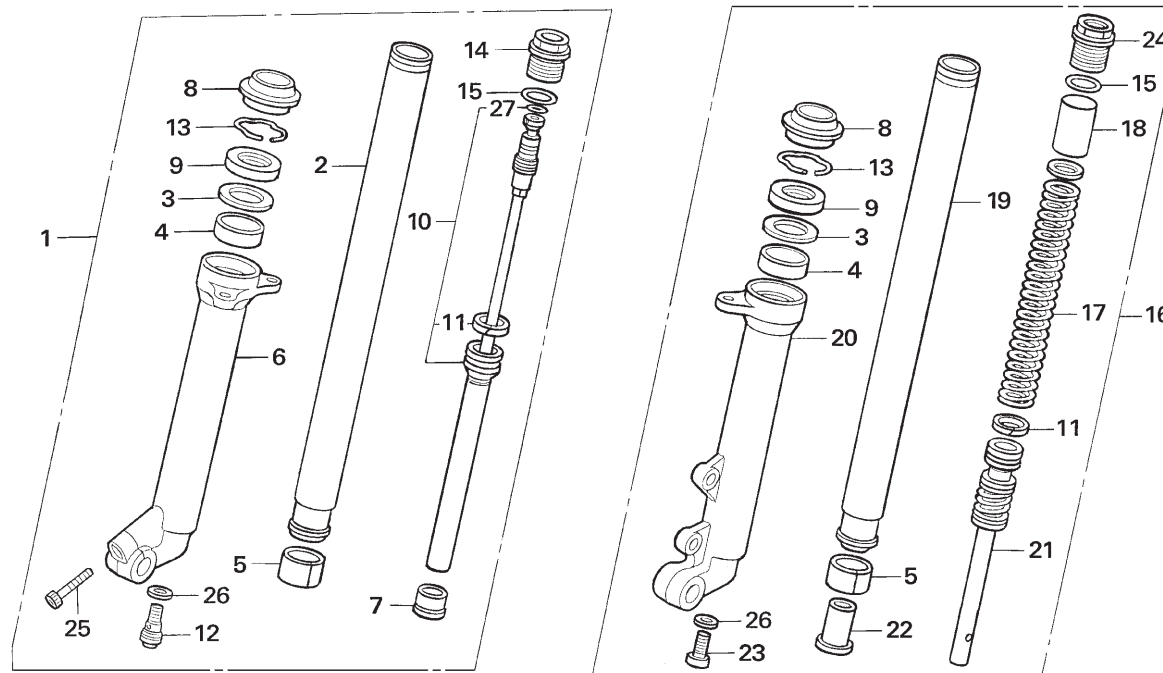
Ref.No.	Part No.	Description	Qty.	Ref.No.	Part No.	Description	Qty.
1	53200-NN4-V60	STEM COMP., STRG	1				
2	53214-KCY-671	DUST SEAL	1				
3	53214-KA4-701	DUST SEAL	1				
4	53229-NN4-G00	THREAD, STRG	1				
5	91015-425-831	BEARING, HEAD PIPE UP.....	2				
6	96600-08025-10	SOCKET BOLT, 8X25.....	4				
7	90114-NN4-C10	BRAKE PLATE, BOLT	1				
8	61315-NN4-C10	HEAD CASE, BRAKE PLATE (ED/2ED).....	1				
9	53600-NN4-J10	LOCK COMP. HANDLE (ED/2ED)	1				
10	90525-NN4-C10	WASHER 5MM (3ED/4ED).....	1				

Block No.
F-06
Front fender



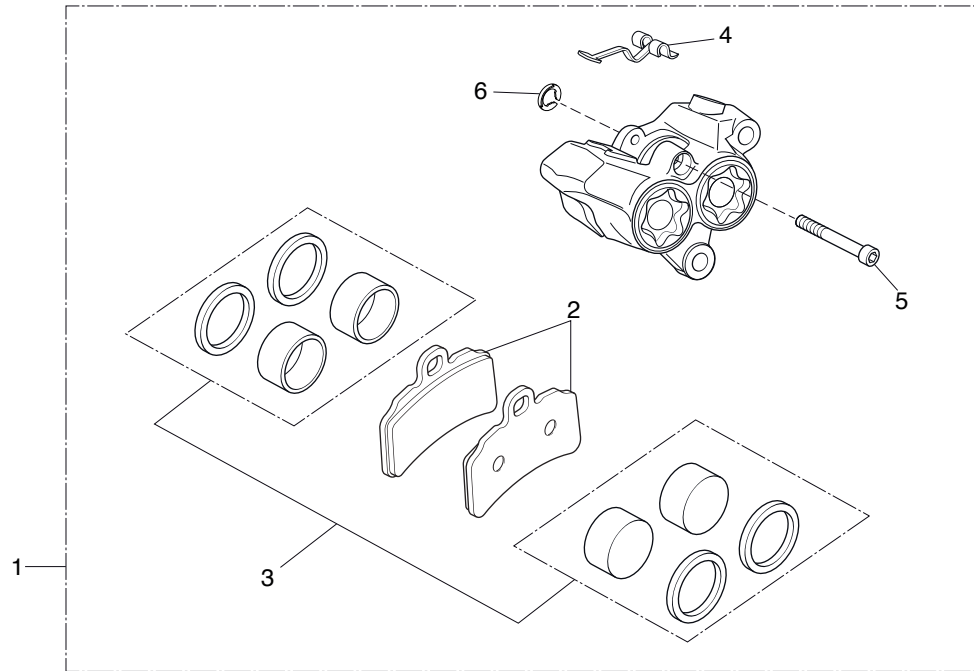
Ref.No.	Part No.	Description	Qty.	Ref.No.	Part No.	Description	Qty.
1	61100-NN4-V60	FENDER COMP., FR (ED/3ED).....	1	12	33743-NN4-M10	STAY LH REFLECTOR (ED/2ED)	1
	61100-NN4-P20	FENDER COMP., FR (2ED/4ED).....	1	13	90201-NN4-600	NUT M4 (ED/2ED).....	2
2	90602-NN4-600	TIE-BAND BLACK 150mm	1				
3	96001-06014-00	BOLT, FLANGE SH 6X14	4				
4	61050-NN4-V60	FRONT FENDER WITH DECALS (ED/3ED)	1				
	61050-NN4-P20	FRONT FENDER WITH DECALS (2ED/4ED)	1				
5	61105-NN4-S10	STAY FRONT FENDER (ED/3ED).....	1				
	61105-NN4-D00	STAY FRONT FENDER (2ED/4ED).....	1				
6	61102-NN3-820	SPECIAL WASHER.....	4				
7	94101-05000	WASHER, PLAIN 5 mm	4				
8	90851-NN4-B00	RIVET 4,8 x 14 mm.....	4				
9	61101-NN4-K10AB	FRONT FENDER WITHOUT DECALS (ED/3ED).....	1				
	61101-NN4-K10AC	FRONT FENDER WITHOUT DECALS (2ED/4ED).....	1				
10	33741-NN4-M11	REFLEX REFLECTOR (ED/2ED)	2				
11	33742-NN4-M10	STAY RH REFLECTOR (ED/2ED).....	1				

Block No.
F-07
Front fork (Showa)



Ref.No.	Part No.	Description	Qty.	Ref.No.	Part No.	Description	Qty.
1	51400-NN4-G11	FORK ASSY, RH. FR	1	17	51501-NN4-003	SPRING, FR FORK	1
2	51410-NN4-003	PIPE COMP., RH. FR FROK.....	1	18	51502-NN3-821	COLLAR, SPRING	1
3	51412-NN4-003	SEAL SPACER.....	2	19	51510-NN4-003	PIPE COMP., LH. FR FROK.....	1
4	51414-NN4-G01	BUSH, GUIDE.....	2	20	51520-NN3-821	CASE, L. BOTTOM	1
5	51415-NN4-G01	BUSH, SLIDE.....	2	21	51530-NN4-003	CYLINDER COMP., FR.....	1
6	51420-NN4-003	CASE, RH. BOTTOM	1	22	51531-NN3-821	PIECE, OIL LOCK	1
7	51421-NN3-821	PLATE, CENTERING.....	1	23	51541-NN3-821	BOLT,CENTER	1
8	51422-NN3-821	SEAL, DUST	2	24	51550-NN4-G01	BOLT COMP, LH. FR FORK.....	1
9	51425-NN3-821	SEAL, OIL	2	25	90116-383-721	BOLT, SOCKET, 8mm	1
10	51430-NN4-G01	DAMPER COMP., RH. FR	1	26	90544-KS7-003	WASHER, SPECIAL.....	2
11	51437-MN5-003	RING, PISTON	2	27	91311-MR7-003	O-RING	1
12	51441-NN4-G01	BOLT COMP, RH. CENTER.....	1				
13	51447-MK7-671	RING, OIL SEAL STOP	2				
14	51450-NN4-G01	BOLT, R. FR FORK.....	1				
15	51458-NN3-821	O-RING.....	2				
16	51500-NN4-G11	FORK ASSY, LH. FR	1				

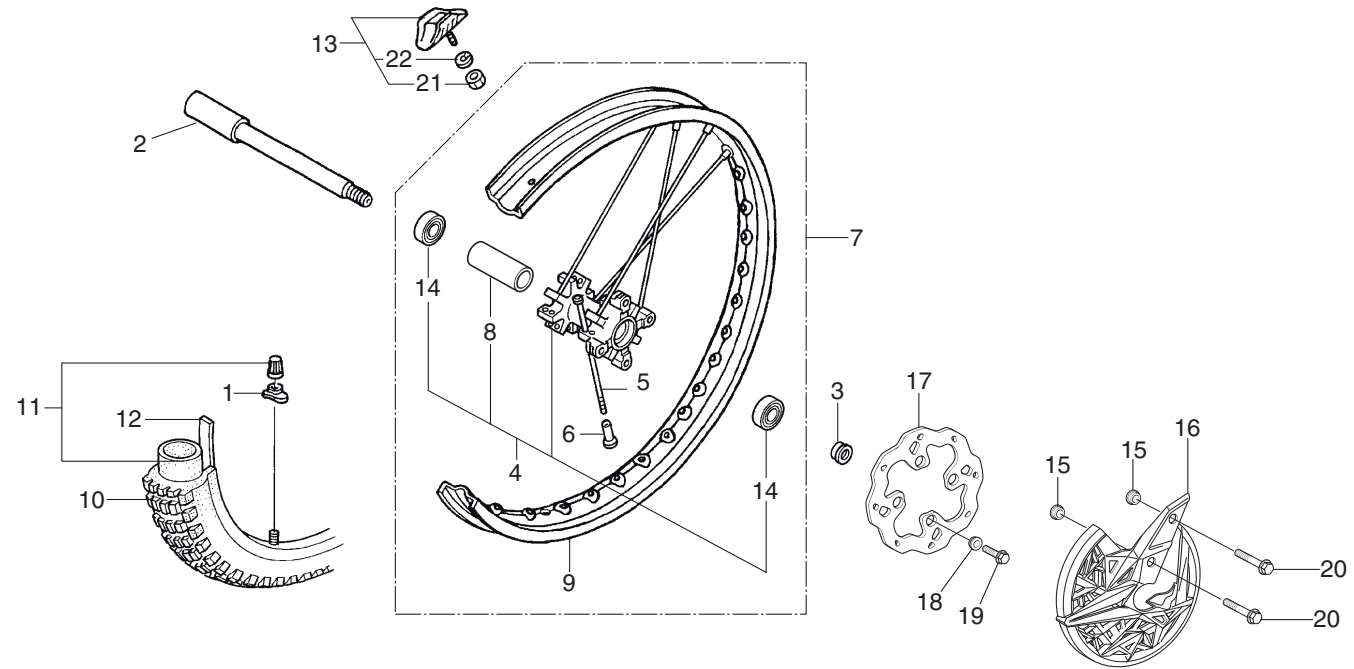
Block No.
F-08
Front brake caliper



FR.

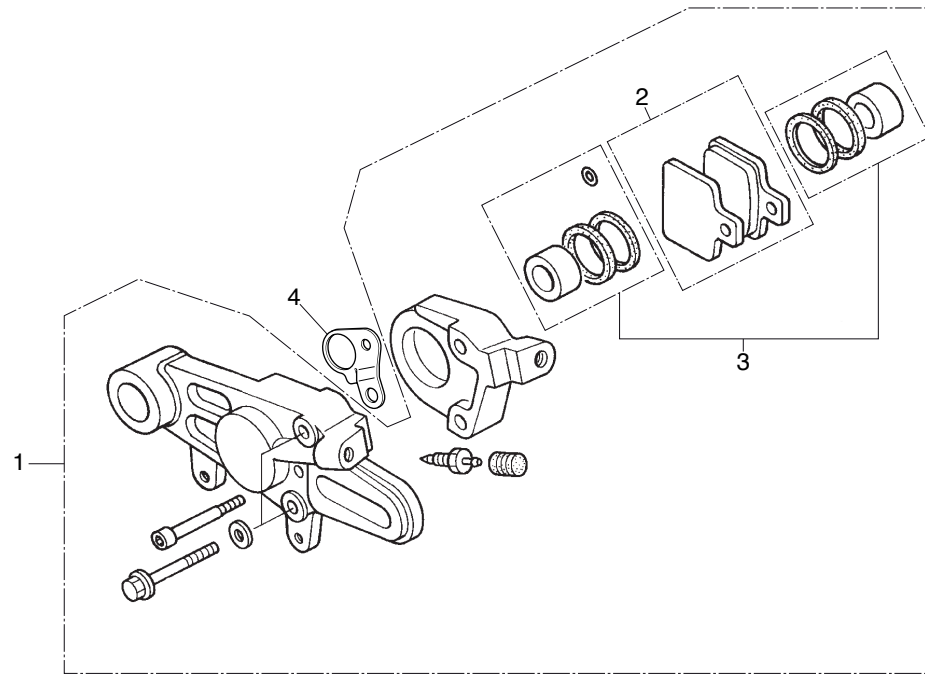
Ref.No.	Part No.	Description	Qty.	Ref.No.	Part No.	Description	Qty.
1	45100-NN4-N60	CALIPER ASSY., FR (RED CAPS).....	1				
2	45105-NN4-N20	PAD COMP., FR	1				
3	45120-NN4-N20	PISTON SET, FR CALIPER	1				
4	45108-NN4-N20	SPRING	1				
5	45109-NN4-N20	PAD PIN	1				
6	90651-NN4-N20	CIRCLIP	1				

Block No.
F-09
Front wheel



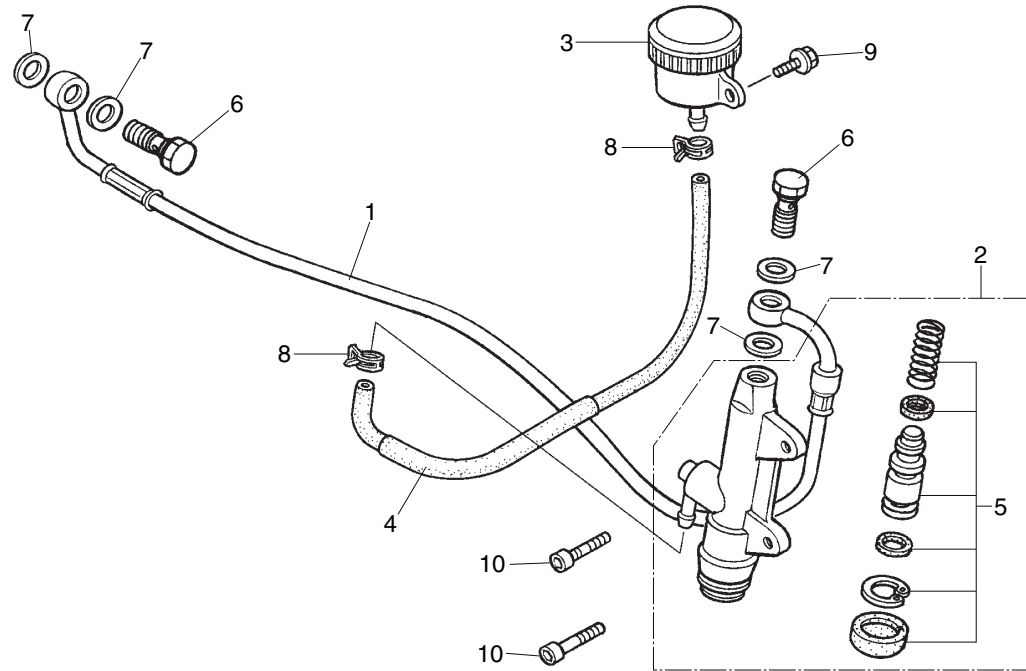
Ref.No.	Part No.	Description	Qty.	Ref.No.	Part No.	Description	Qty.
1	42714-KA3-710	CAP, VALVE.....	1	15	45331-NN3-830	COLLAR.....	2
2	44301-NN3-000	AXLE, FR WHEEL	1	16	45332-NN4-P10ZB	COVER, FR DISK (ED/3ED)	1
3	44311-NN4-000	COLLAR L., FR WHEEL	1		45332-NN4-P10ZC	COVER, FR DISK (2ED/4ED)	1
4	44602-NN4-L60	HUB ASSY., FR WHEEL.....	1	17	45351-NN4-P10	DISK, FR BRAKE	1
5	44603-NN4-H01	SPOKE, FR	32	18	45352-NN4-P10	COLLAR, FR DISK.....	4
6	44608-KZ4-J40	NIPPLE, SPOKE	32	19	90026-NN4-P60	BOLT, BRK DISK 6X16.....	4
7	44650-NN4-L60	RIM ASSY., FR (ED/3ED)	1	20	96300-08032-00	BOLT, SOCKET 8X32.....	2
	44650-NN4-S70	RIM ASSY., FR (2ED/4ED)	1	21	94001-08000-0S	NUT, HEX M8.....	1
8	44620-NN4-J10	COLLAR, FR WHEEL DIST	1	22	94111-08000	WASHER, SPRING 8mm.....	1
9	44701-NN4-L61	RIM, FR WHEEL (ED/3ED).....	1				
	44701-NN4-J20	RIM, FR WHEEL (2ED/4ED).....	1				
10	44711-NN4-003	TIRE, FRONT (NOT SALE)	1				
11	-----	TUBE (NOT SALE)	1				
12	44713-KR9-008	RIM, BAND (NOT SALE)	1				
13	44715-MA0-770	STOPPER, 1.60 BEAD.....	1				
14	96150-60040-10	BEARING, BALL RADIAL 6004.....	2				

Block No.
F-10
Rear brake caliper



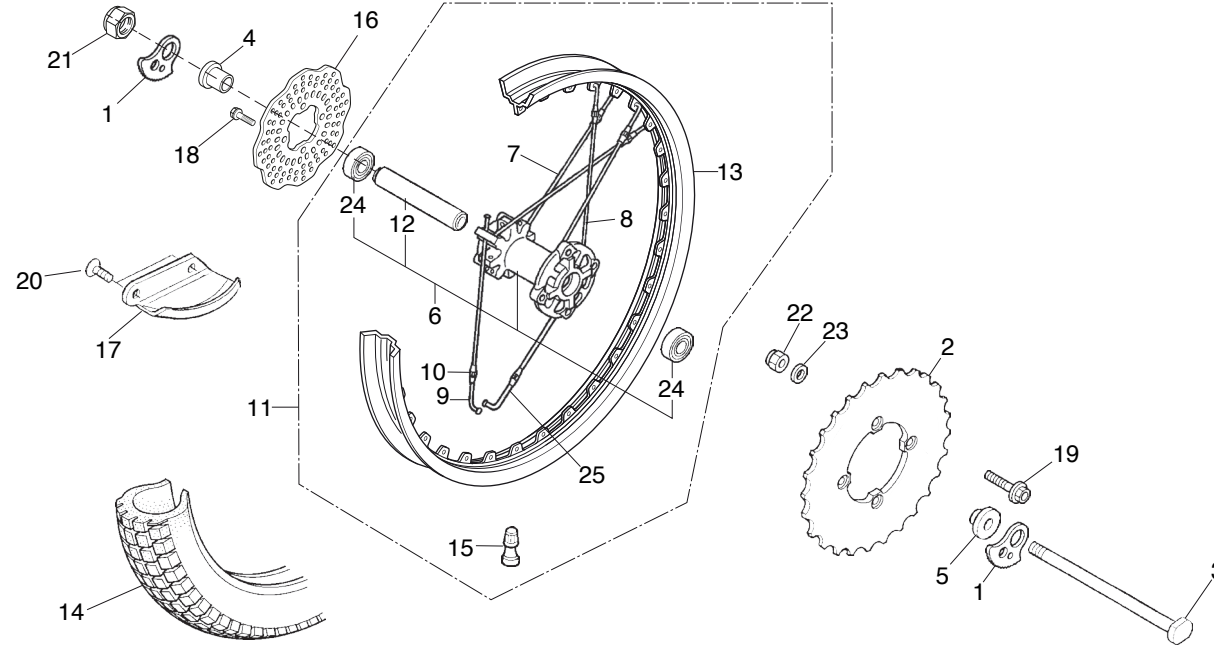
Ref.No.	Part No.	Description	Qty.	Ref.No.	Part No.	Description	Qty.
1	43100-NN4-P10	CALIPER ASSY., RR	1				
2	06435-NN4-T10	PAD SET COMP., RR	1				
3	43120-NN3-305	PISTON SET, RR CALIPER.....	1				
4	37715-NN4-P10	PLATE, SPEED SENSOR.....	1				

Block No.
F-11
Rear brake master cylinder



Ref.No.	Part No.	Description	Qty.	Ref.No.	Part No.	Description	Qty.
1	43310-NN4-J11	HOSE, RR BRAKE	1				
2	43500-NN4-K11	M/C ASSY., REAR.....	1				
3	43510-NN2-900	TANK ASSY., RESERVE	1				
4	43511-NN4-000	TUBE COMP., RR M/C.....	1				
5	43520-NN4-K10	PISTON SET, RR M/C.....	1				
6	90145-NN4-J10	OIL BOLT, 10X21	2				
7	90545-NN4-J10	WASHER, OIL BOLT	4				
8	95002-NN4-J10	CLAMP, D8.5 TUBE	2				
9	96001-06012-00	BOLT, FLANGE SH 6X12	1				
10	96600-06022-00	SOCKET BOLT, 6X22.....	2				

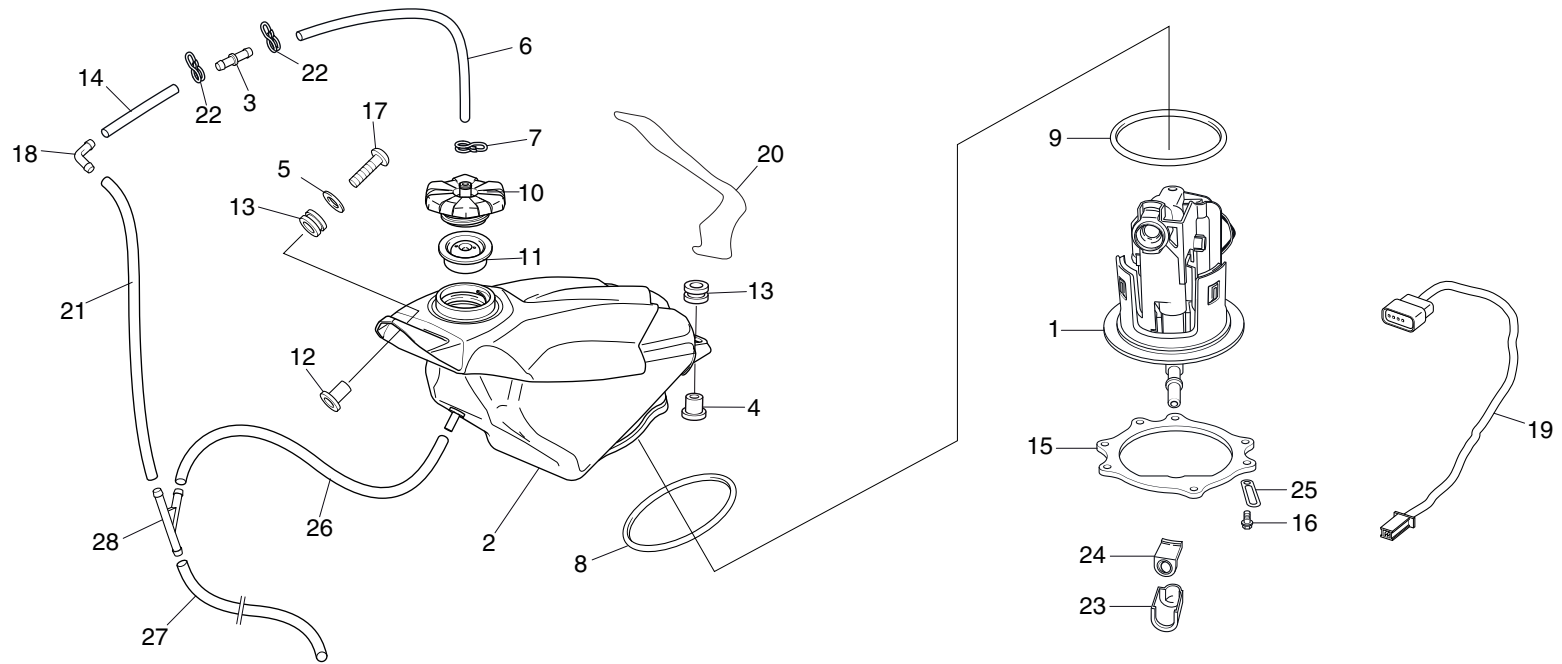
Block No.
F-12
Rear wheel



FR.

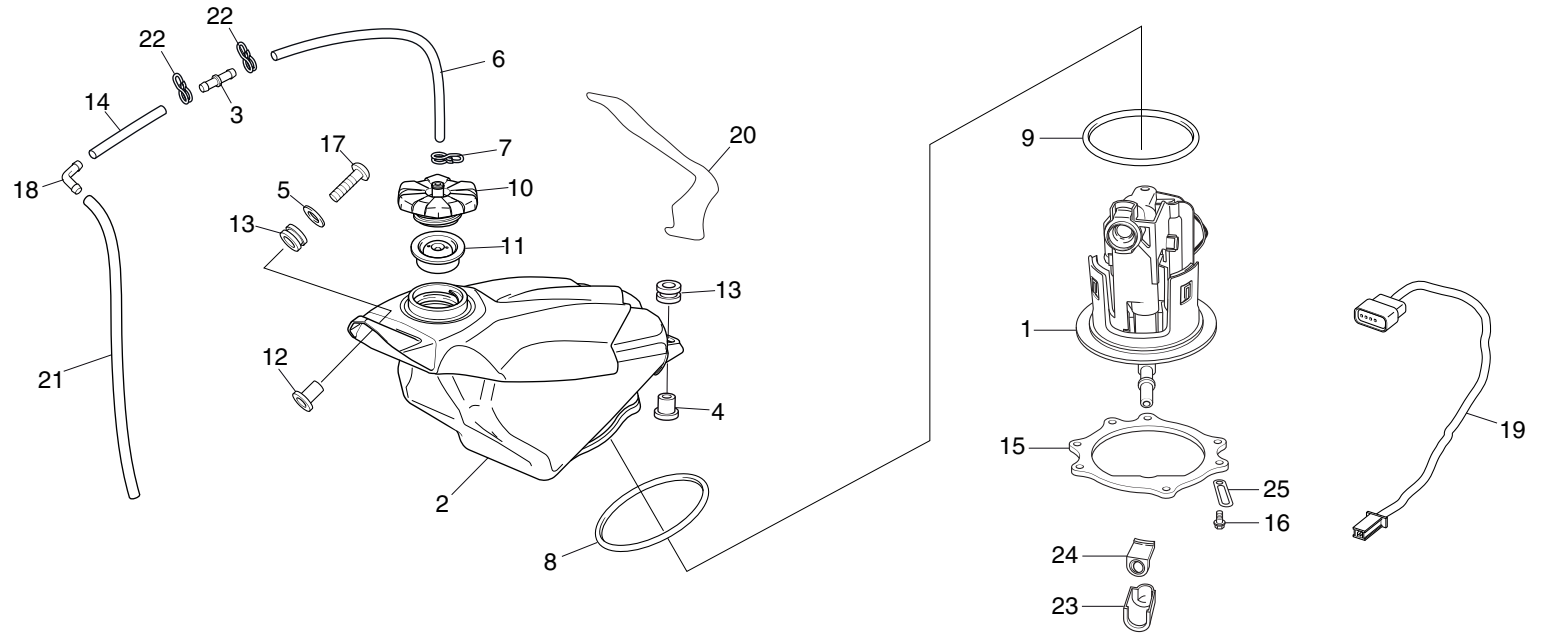
Ref.No.	Part No.	Description	Qty.	Ref.No.	Part No.	Description	Qty.
1	40544-NN4-C00	ADJUSTER, CHAIN	2	15	42753-KBS-901	VALVE, RIM TR412	1
2	41201-NN4-T60	41T SPROKET FINAL DRIVEN	1	16	43121-NN4-P10	DISK, RR BRAKE	1
3	42301-NN4-P10	AXLE, RR WHEEL	1	17	43330-NN4-J10	COVER, RR DISK	1
4	42311-NN4-H00	COLLAR RH., RR WHEEL	1	18	90105-NN4-D00	BOLT, BRK DISK 6X18	4
5	42312-NN4-H00	COLLAR LH., RR WHEEL	1	19	90125-KZ4-J40	BOLT, SH DR 8X22	4
6	42602-NN4-L60	HUB ASSY., WHEEL (BLACK)	1	20	90132-NN2-900	SCREW, 6X12	2
7	42603-NN4-H01	SPOKE RH., RR WHEEL	16	21	90305-NN4-P10	NUT, AXLE	1
8	42604-NN4-H01	SPOKE LH., RR WHEEL	16	22	90309-ML3-791	NUT, U 8mm	4
9	42605-NN4-H01	SPOKE S, RR WHEEL (RIGHT)	16	23	90401-NN4-000	WASHER, PLAIN, 8mm	4
10	42607-NN4-H00	NIPPLE, RR WHEEL	32	24	96150-60040-10	BEARING, BALL RADIAL 6004	2
11	42650-NN4-L60	RIM ASSY., RR (ED/3ED)	1	25	42606-NN4-H01	SPOKE S, L, RR WHEEL	16
	42650-NN4-S70	RIM ASSY., RR (2ED/4ED)	1				
12	42620-NN4-H00	COLLAR, RR WHEEL DIST	1				
13	42701-NN4-L61	RIM, RR WHEEL (ED/3ED)	1				
	42701-NN4-J20	RIM, RR WHEEL (2ED/4ED)	1				
14	----	TIRE, RR (NOT SALE)	1				

Block No.
F-13 (ED/2ED)
Fuel tank
Fuel pump



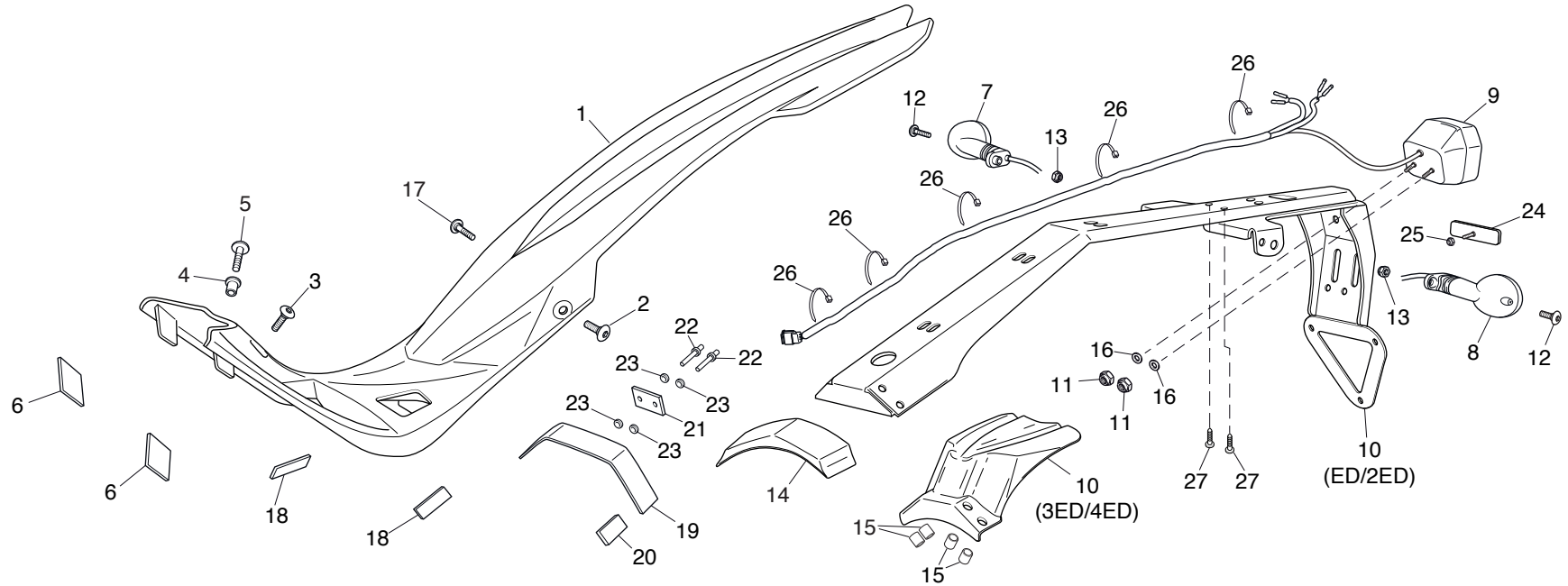
Ref.No.	Part No.	Description	Qty.	Ref.No.	Part No.	Description	Qty.
1	16700-NX7-003	UNIT ASSY., FUEL PUMP.....	1	16	90106-KRN-000	BOLT,FLANGE 5X12	7
2	17500-NN4-V60	SET, FUEL TANK (WITH STICKERS) (ED).....	1	17	90115-NN4-000	BOLT, SPL, 6X27	1
	17500-NN4-P20	SET, FUEL TANK (WITH STICKERS) (2ED).....	1	18	19114-NN4-600	JOINT 2 WAY	1
3	17625-NF4-003	VALVE	1	19	32103-NN4-L10	SUB HARNESS FUEL PUMP	1
4	17509-NN4-000	COLLAR, TANK SET	1	20	17507-NN4-P10	PROTECTOR FILM	1
5	90501-NN4-G00	WASHER 6 MM	1	21	17521-NN4-M10	DRAIN TUBE A	1
6	17523-NN4-G00	TUBE, FUEL CAP BREATHER.....	1	22	95002-02100	CLIP B10.....	2
7	95002-02129	CLIP B12.....	1	23	17575-MEN -A30	COVER, FUEL CONNECTOR	1
8	16712-MEN -A30	O-RING 2,4X88,4.....	1	24	17576-MEN -A30	RUBBER, FUEL CONNECTOR.....	1
9	16711-MEN-A30	O-RING 3,7X73,9.....	1	25	90106-KJ6-740	CLIP TUBE.....	1
10	17621-NN4-P10	FUEL CAP.....	1	26	17524-NN4-M10	DRAIN TUBE B	1
11	17624-NN4-P10	PACKING, FUEL CAP	1	27	17522-NN4-M10	DRAIN TUBE C	1
12	61104-357-000	COLLAR, FR FENDER	1	28	16180-ML6-671	3 WAY JOINT	1
13	64615-KR1-860	RUBBER, LWR COWL MOUNT.....	2				
14	95005-55035-20	TUBE 5,3 x 35.....	1				
15	17519-NN4-L10	PLATE,FUEL PUMP	1				

Block No.
F-13 (3ED/4ED)
Fuel tank
Fuel pump



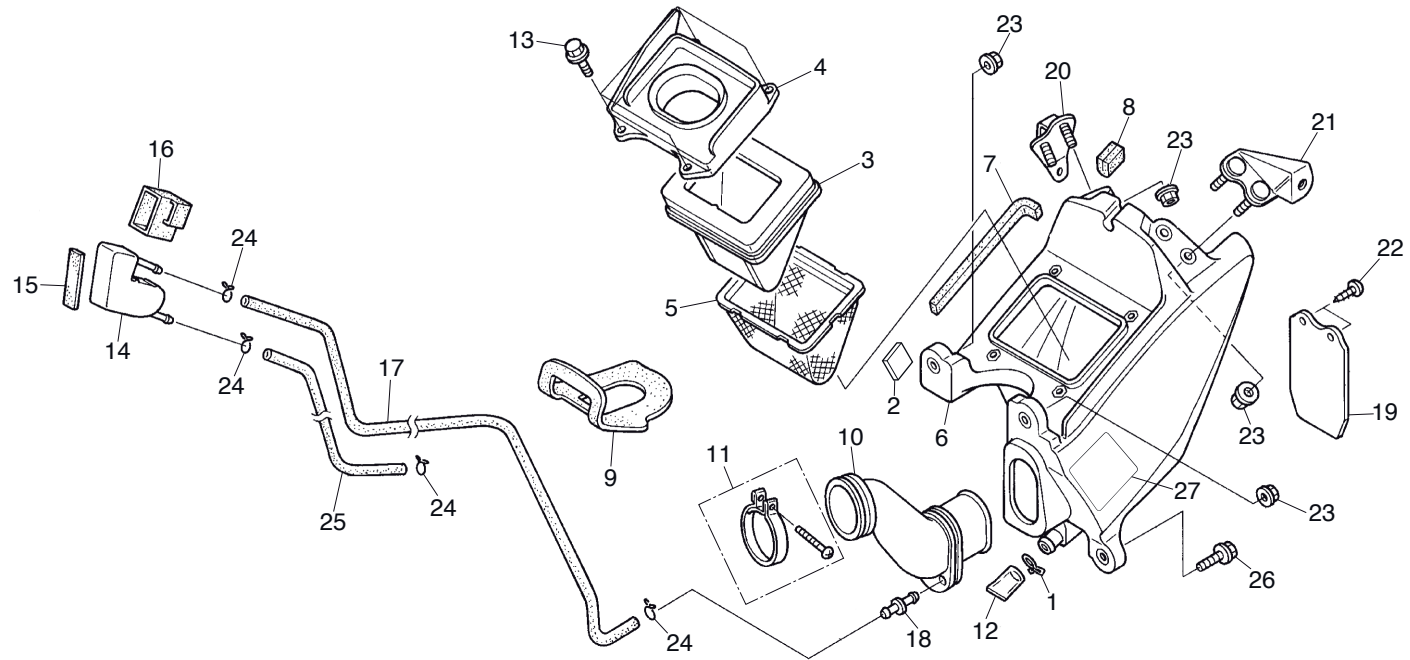
Ref.No.	Part No.	Description	Qty.	Ref.No.	Part No.	Description	Qty.
1	16700-NX7-003	UNIT ASSY., FUEL PUMP.....	1	16	90106-KRN-000	BOLT,FLANGE 5X12	7
2	17500-NN4-V70	SET, FUEL TANK (WITH STICKERS) (3ED).....	1	17	90115-NN4-000	BOLT, SPL, 6X27	1
	17500-NN4-P40	SET, FUEL TANK (WITH STICKERS) (4ED).....	1	18	19114-NN4-600	JOINT 2 WAY	1
3	17625-NF4-003	VALVE	1	19	32103-NN4-L10	SUB HARNESS FUEL PUMP	1
4	17509-NN4-000	COLLAR, TANK SET	1	20	17507-NN4-P10	PROTECTOR FILM	1
5	90501-NN4-G00	WASHER 6 mm.....	1	21	17521-NN4-G00	TUBE, FUEL CAP BREATHER.....	1
6	17523-NN4-G00	TUBE, FUEL CAP BREATHER.....	1	22	95002-02100	CLIP B10.....	2
7	95002-02129	CLIP B12.....	1	23	17575-MEN-A30	COVER, FUEL CONNECTOR	1
8	16712-MEN -A30	O-RING 2,4X88,4.....	1	24	17576-MEN-A30	RUBBER, FUEL CONNECTOR.....	1
9	16711-MEN-A30	O-RING 3,7X73,9.....	1	25	90106-KJ6-740	CLIP TUBE.....	1
10	17621-NN4-P10	BODY, FUEL CAP	1				
11	17624-NN4-P10	PACKING, FUEL CAP	1				
12	61104-357-000	COLLAR, FR FENDER	1				
13	64615-KR1-860	RUBBER, LWR COWL MOUNT.....	2				
14	95005-55035-20	TUBE 5,3 x 35.....	1				
15	17519-NN4-L10	PLATE,FUEL PUMP	1				

Block No.
F-14
Rear fender



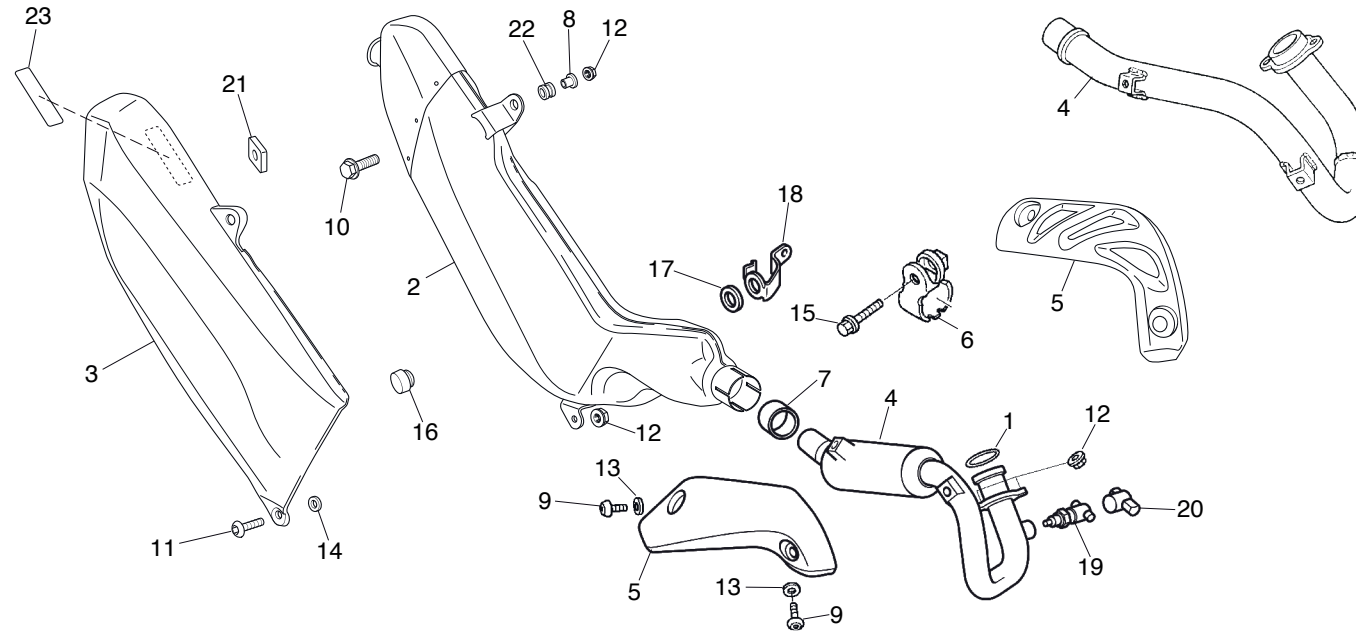
Ref.No.	Part No.	Description	Qty.	Ref.No.	Part No.	Description	Qty.
1	80101-NN4-P10ZA	FENDER COMP., REAR (WITHOUT DECALS) (ED/3ED)	1	13	90206-NN4-C10	NUT (ED/2ED)	2
	80101-NN4-P10ZC	FENDER COMP., REAR (WITHOUT DECALS) (2ED/4ED)	1	14	80109-NN4-P10	PROTECTOR	1
	80050-NN4-V60	FENDER COMP., REAR (WITH DECALS) (ED/3ED)	1	15	80114-NN4-P30	COLLAR (3ED/4ED)	4
	80050-NN4-S70	FENDER COMP., REAR (WITH DECALS) (2ED/4ED)	1	16	90525-NN4-C10	WASHER 5 mm. (ED/2ED)	2
2	90106-KY2-701	SCREW, PAN 6X11	1	17	90107-NN4-P10	BOLT 6x15	1
3	90115-NN4-000	BOLT, SPL, 6X27	1	18	64246-MEW-920	SIDE PROTECTORS	2
4	80125-NN4-000	COLLAR	1	19	80103-NN4-300	PROTECTOR	1
5	90116-MAS-E00	BOLT 6x16	1	20	80104-NN4-300	PROTECTOR	1
6	80105-NN4-300	SIDE PROTECTORS A	2	21	80102-NN4-300	PROTECTOR	1
7	33600-NN4-J10	WINKER ASSY. RIGHT REAR (ED/2ED)	1	22	90851-NN4-300	RIVET	2
8	33650-NN4-J10	WINKER ASSY. RIGHT LEFT (ED/2ED)	1	23	90503-NN4-300	WASHER	4
9	33700-NN4-J10	UNIT, TAIL LIGHT COMP. (ED/2ED)	1	24	33741-KEB-621	REAR REFLECTOR (ED/2ED)	1
10	80105-NN4-P10	BRACKET (ED/2ED)	1	25	90205-NN4-J10	NUT (ED/2ED)	1
	80106-NN4-P30	BRACKET (3ED/4ED)	1	26	90602-NN4-600	TIE-BAND BLACK 150mm (ED/2ED)	5
11	90201-NN4-600	NUT (ED/2ED)	2	27	90113-NN4-L80	SCREW-TAP. 4,2X13 (ED/2ED)	2
12	90108-NN4-600	WINKER, BOLT (ED/2ED)	2				

Block No.
F-15
Air cleaner



Ref.No.	Part No.	Description	Qty.	Ref.No.	Part No.	Description	Qty.
1	15707-634-000	CLIP, BREATHER TUBE.....	1	17	17554-NN4-000	TUBE, BREATHER A.....	1
2	17234-NN4-300	SEAL C AIR/C CASE.....	1	18	55102-166-000	JOINT, OIL TUBE.....	1
3	17211-NN4-P10	ELEMENT, AIR/C.....	1	19	80110-NN3-000	MUD GUARD.....	1
4	17212-NN4-000	CAP, AIR/C CASE.....	1	20	80111-NN4-P60	STAY R., RR FENDER.....	1
5	17213-NN4-000	TRAP COMP., FLAME.....	1	21	80112-NN4-D00	STAY L., RR FENDER.....	1
6	17230-NN4-H00	CASE COMP., AIR/C.....	1	22	93913-14180	SCREW, TAPPING 4X10.....	2
7	17231-NN4-300	SEAL A, AIR/C CASE.....	1	23	94050-06000	NUT, FLANGE 6mm.....	6
8	17232-NN4-300	SEAL B, AIR/C CASE.....	1	24	95002-02100	CLIP B10, TUBE.....	4
9	17236-NN3-830	AIR GUARD.....	1	25	95005-55225-20	TUBE, 5.3X225.....	1
10	17253-NN4-000	TUBE, AIR/C CONN.....	1	26	95701-06025-00	BOLT, FLANGE 6X25.....	1
11	95018-50250	BAND, AIR/C CONNECTING TUBE.....	1	27	87560-NN4-K40	CAUTION LABEL (3ED/4ED) (ENGLISH).....	1
12	17358-NN2-000	TUBE, DRAIN.....	1		87560-NN4-L30	CAUTION LABEL (3ED/4ED) (FRENCH).....	1
13	90108-GK1-000	BOLT, FLANGE SH 6X12.....	4				
14	17551-NN4-000	TANK, STORAGE.....	1				
15	17552-NN4-000	RUBBER STORAGE TANK.....	1				
16	17553-NN4-000	CUSHION STORAGE TANK.....	1				

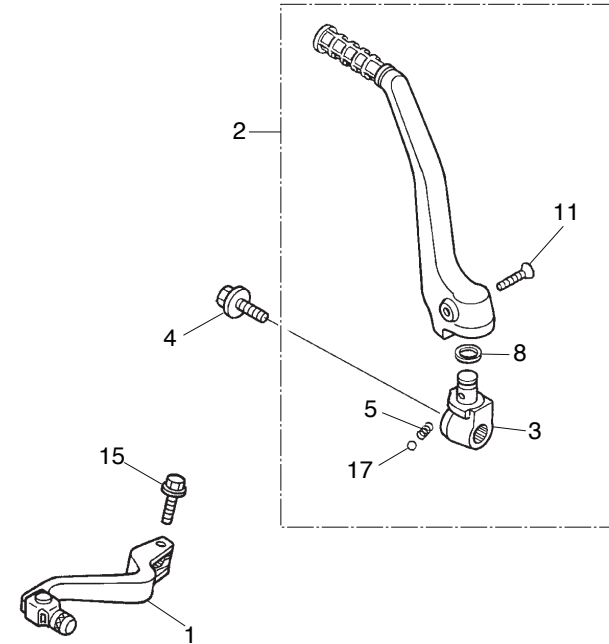
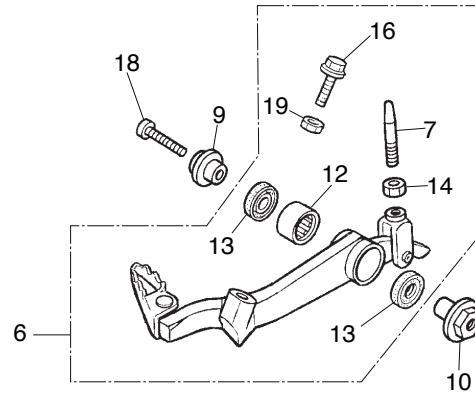
Block No.
F-16
Exhaust muffler



FR. →

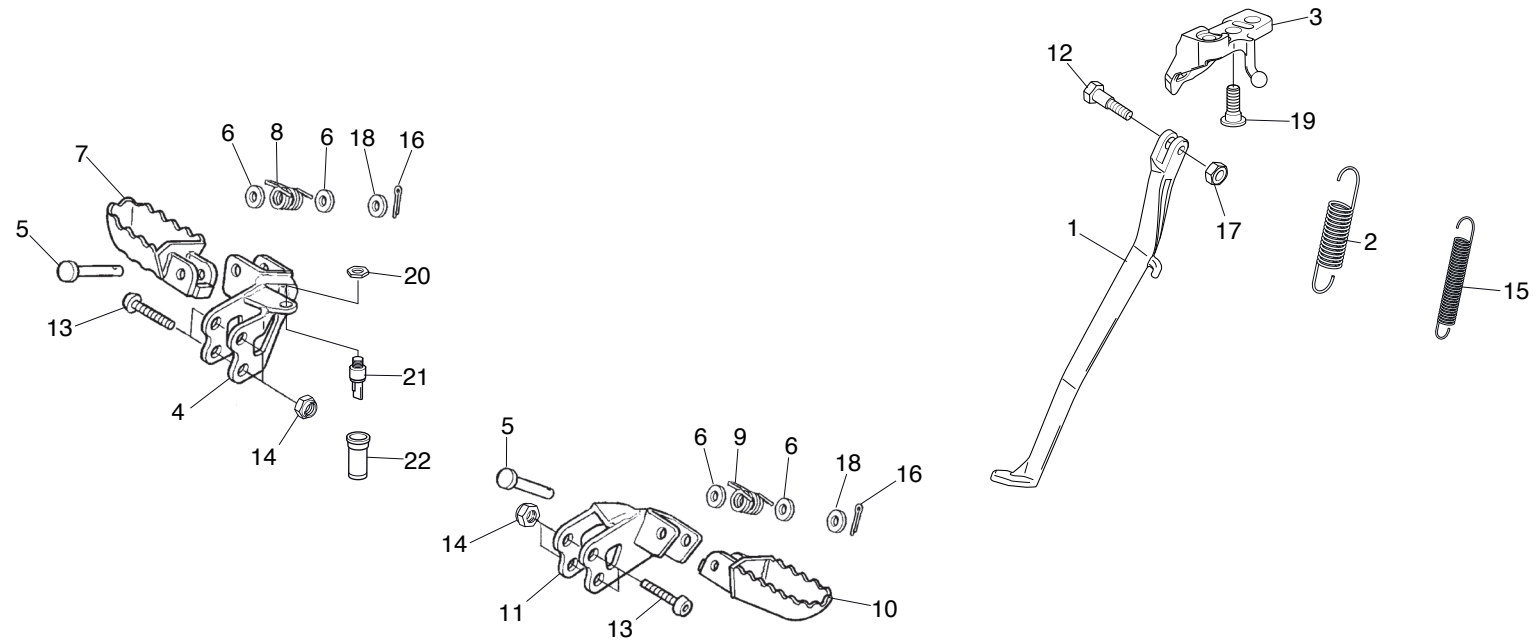
Ref.No.	Part No.	Description	Qty.	Ref.No.	Part No.	Description	Qty.
1	18291-NN4-000	GASKET, EXHAUST PIPE	1	14	90512-921-0100	WASHER, PLAIN 6mm	1
2	18310-NN4-P60	MUFFLER COMP. EXHAUST (ED/2ED)	1	15	90216-MM9-000	BOLT, FLANGE DR 8X32	1
	18310-NN4-P70	MUFFLER COMP. EXHAUST (3ED/4ED)	1	16	83512-KA4-700	RUBBER	1
3	83510-NN4-P60	COVER RH. SIDE.....	1	17	83551-GE2-000	RUBBER SIDE COVER.....	1
4	18320-NN4-M60	EXHAUST PIPE COMP. (ED/2ED)	1	18	80113-NN4-G10	STAY SIDE COVER	1
	18330-NN4-L70	EXHAUST PIPE COMP. (3ED/4ED)	1	19	36532-GFC-771	O2 SENSOR	1
5	18323-NN4-M10	PROTECTOR EXHAUST PIPE (ED/2ED).....	1	20	18383-NN4-G10	COVER O2 SENSOR	1
	18323-NN4-000	PROTECTOR EXHAUST PIPE (3ED/4ED).....	1	21	83515-KZ3-700	RUBBER SIDE COVER	1
6	18374-ML4-003	BAND, MUFFLER	1	22	19051-KA3-830	RUBBER	1
7	18391-MB0-891	PACKING MUFFLER.....	1	23	87586-NN4-N10	LABEL, E5/E10/95+ FUEL	1
8	19052-MAC-680	COLLAR.....	1				
9	90108-KGB-610	BOLT 6X8.....	2				
10	90115-MAS-E00	SPECIAL BOLT 6X25	1				
11	90106-NN4-J10	SCREW PAN 6X23.....	1				
12	94050-06000	NUT, FLANGE 6mm	4				
13	94101-06000	WASHER, PLAIN 6mm	2				

Block No.
F-17
Pedal
Kick starter arm



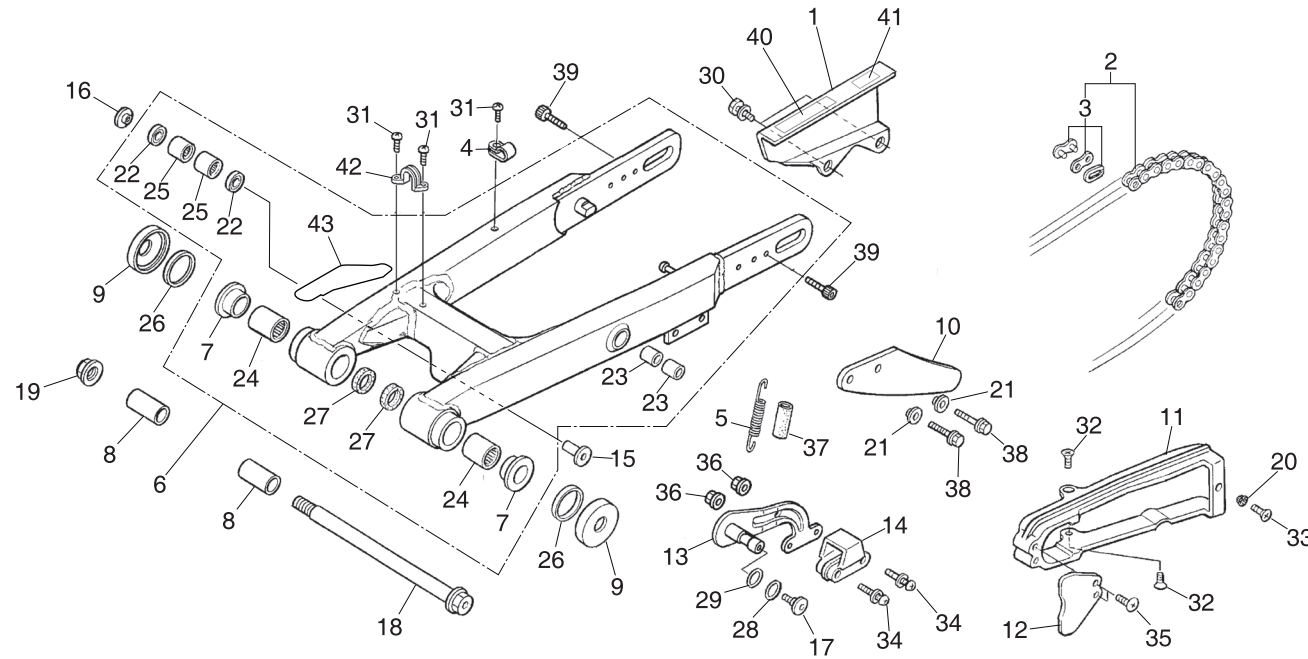
Ref.No.	Part No.	Description	Qty.	Ref.No.	Part No.	Description	Qty.
1	24700-NN4-L60	PEDAL COMP., CHANGE	1	17	96211-08000	STEEL BALL 8	1
2	28300-NN4-L60	ARM ASSY., KICKSTARTER	1	18	96700-08032-10	BOLT, SOCKET 8X32	1
3	28302-NN4-000	JOINT, KICK ARM.....	1	19	94001-05000-0S	NUT, HEX 5 MM.....	1
4	28306-MEN-670	BOLT	1				
5	28333-KK0-000	SPRING, KICKSTARTER ARM SET	1				
6	46500-NN4-T10	PEDAL ASSY., RR BRAKE (BLACK)	1				
7	46521-NN4-000	ROD, BRAKE	1				
8	46525-KK0-003	DUST SEAL 17X2.0X2.5	1				
9	46531-NN4-000	COLLAR A, RR BRAKE.....	1				
10	46532-NN4-000	COLLAR B, RR BRAKE	1				
11	90101-MAC-680	BOLT	1				
12	91001-GG2-003	BEARING, NEEDLE 12X18X12	1				
13	91201-951-003	OIL SEAL, 12X18X3.....	2				
14	94001-06000-0S	NUT, HEX 6 MM.....	1				
15	96001-06022-00	BOLT, FLANGE SH 6X22	1				
16	92101-05018-0H	BOLT, FLANGE SH 5X18	1				

Block No.
F-18
Stand
Step



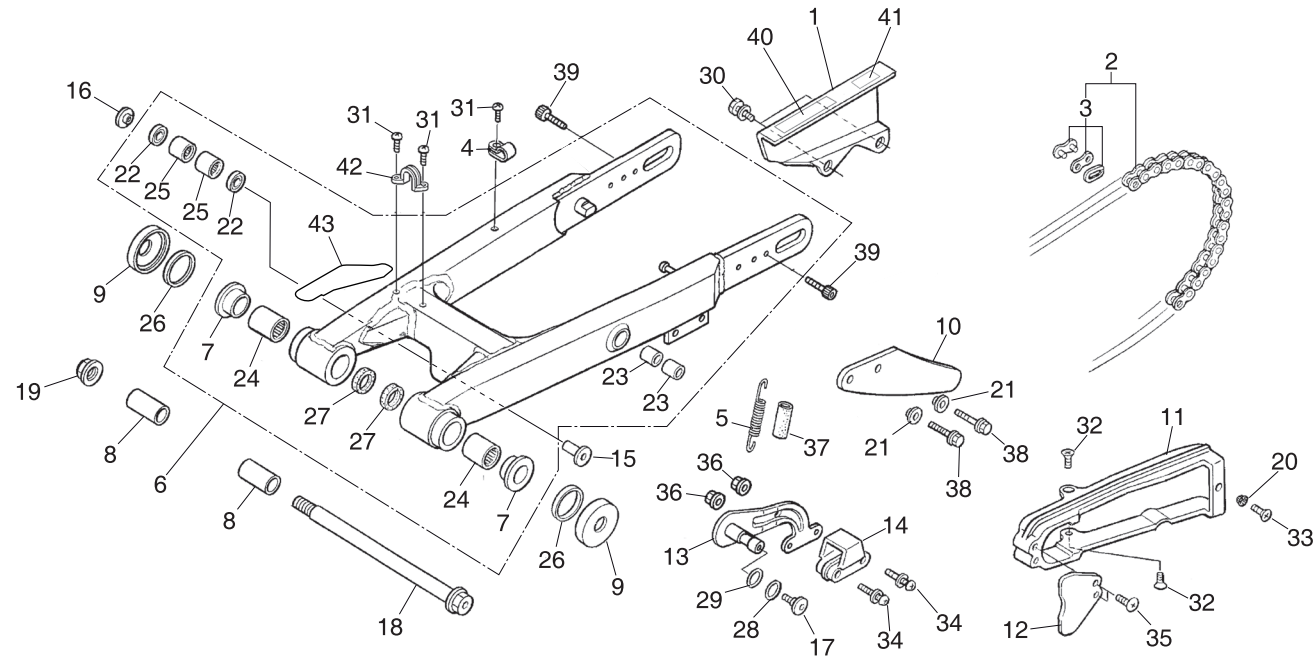
Ref.No.	Part No.	Description	Qty.	Ref.No.	Part No.	Description	Qty.
1	50530-NN4-S60	BAR COMP., SIDE STAND.....	1	17	90203-MF9-710	NUT, HEX 10 MM.....	1
2	50541-MBL-610	EXTERNAL SPRING, SIDE STAND.....	1	18	94102-08000	WASHER, PLAIN 8 MM.....	2
3	50536-NN4-N61	BRACKET, SIDE STAND.....	1	19	90105-KL8-741	BOLT, FLANGE DR.....	2
4	50600-NN4-T10	BRKT COMP., R. STEP (BLACK).....	1	20	35342-NN4-600	NUT REAR BRAKE SW (ED/2ED).....	1
5	50639-ML0-010	PIN, P. STEP BAR.....	2	21	35350-NN4-600	SWITCH ASSY., REAR BRAKE (ED/2ED).....	1
6	50602-NN4-J10	WASHER.....	4	22	35351-NN4-601	RUBBER COVER.....	1
7	50616-NN4-L60	STEP RH RACE REPLICA (BLACK).....	1				
8	50617-NN4-J10	SPRING RH., STEP RETURN.....	1				
9	50618-NN4-J10	SPRING LH., STEP RETURN.....	1				
10	50642-NN4-L60	STEP LH RACE REPLICA (BLACK).....	1				
11	50700-NN4-T10	BRACKET COMP., L. STEP (BLACK).....	1				
12	90108-283-000	BOLT.....	1				
13	90128-MW8-000	BOLT.....	4				
14	90309-ML3-791	NUT U 8 MM.....	4				
15	50542-MBL-610	INTERNAL SPRING, SIDE STAND.....	1				
16	90751-MAK-000	PIN, SPLIT 2X16.....	2				

Block No.
F-19
Swingarm



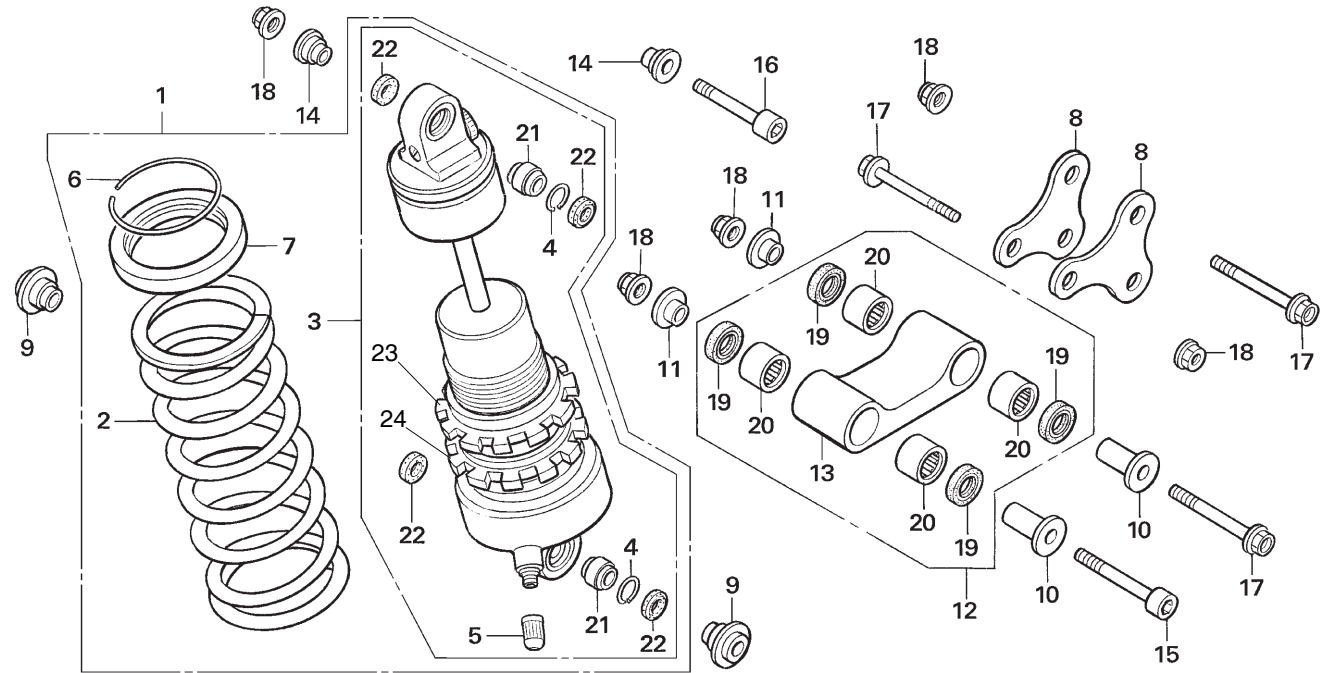
Ref.No.	Part No.	Description	Qty.	Ref.No.	Part No.	Description	Qty.
1	40510-NN3-000	CASE, DRIVE CHAIN.....	1	16	52464-NN3-010	COLLAR R., CUSH RINK.....	1
2	40530-NN2-000	DRIVE CHAIN FOR 41T SPROKET.....	1	17	90102-GM2-000	BOLT, CHAIN TENSOR.....	1
3	40531-NN2-000	JOINT, DRIVE CHAIN.....	1	18	90117-NN4-000	BOLT, SWINGARM PIVOT.....	1
4	90602-NN4-C10	CLIP SPDMT. CABLE (UC-3B) (ED/2ED).....	1	19	90201-GC4-000	NUT, FLANGE 14mm.....	1
4	90602-NN4-G10	CLIP SPDMT. CABLE (UC-3B) (3ED/4ED).....	1	20	90502-NN4-000	WASHER SPL.....	1
5	46514-KY2-700	SPRING, BRAKE PEDAL RETURN.....	1	21	90503-KRN-000	WASHER, FENDER SETTING.....	2
6	52100-NN4-J20	SWINGARM ASSY. BLACK.....	1	22	91051-NN1-000	SEAL, BEARING 15X21X3.....	2
7	52109-KA4-701	BUSH, PIVOT THRUST.....	2	23	91052-NN0-000	BUSH, CHAIN TENSIONER.....	2
8	52141-NN2-000	COLLAR, RR FORK.....	2	24	91071-MA0-003	BEARING, PIVOT.....	2
9	52144-KA3-731	CAP, DUST SEAL.....	2	25	91071-NN1-000	BEARING, NEEDLE 15X21X12.....	2
10	52157-NN4-J10	PROTECTOR, SPRKT.....	1	26	91253-KA3-731	DUST SEAL 32X36.8X8.....	2
11	52170-NN4-000	SLIDER, CHAIN.....	1	27	91254-KS6-003	DUST SEAL 20X2.6X4.5.....	2
12	52171-NN3-000	COVER, SPRKT.....	1	28	91305-422-000	O-RING, 9.8X2.4.....	1
13	52181-NN4-000	TENSIONER COMP, CHAIN.....	1	29	91362-ZC3-000	O-RING, 13.8X2.4.....	1
14	52182-NN4-J10	SLIPPER, CHAIN TENS.....	1	30	93404-06014-00	BOLT-WASH, 6X14.....	2
15	52463-NN3-010	COLLAR L., CUSH RINK.....	1	31	90104-ML7-920	SCREW, PAN 5X8.....	3

Block No.
F-19
Swingarm



Ref.No.	Part No.	Description	Qty.	Ref.No.	Part No.	Description	Qty.
32	93600-05012-0G	SCREW, FLAT 5X12.....	2				
33	93600-05016-0G	SCREW, FLAT 5X16.....	1				
34	90003-NN4-J10	SCREW 5X20.....	2				
35	93913-15280	SCREW, TAPPING 5X12.....	2				
36	94050-05000	NUT, FLANGE 5mm.....	2				
37	95003-43004-20	V.TUBE, 13X15X40.....	1				
38	96001-06012-00	BOLT, FLANGE SH 6X12.....	2				
39	96600-06010-10	BOLT, SOCKET 6X10.....	2				
40	87505-NN4-R10	LABEL, TIRE (ED/2ED).....	1				
41	87505-NN4-H10	LABEL, DRIVE CHAIN (3ED/4ED).....	1				
42	43468-KZ3-B00	CLIP, RR BRK HOSE.....	1				
43	52143-NN4-J10	TAPE SWINGARM RR.....	1				

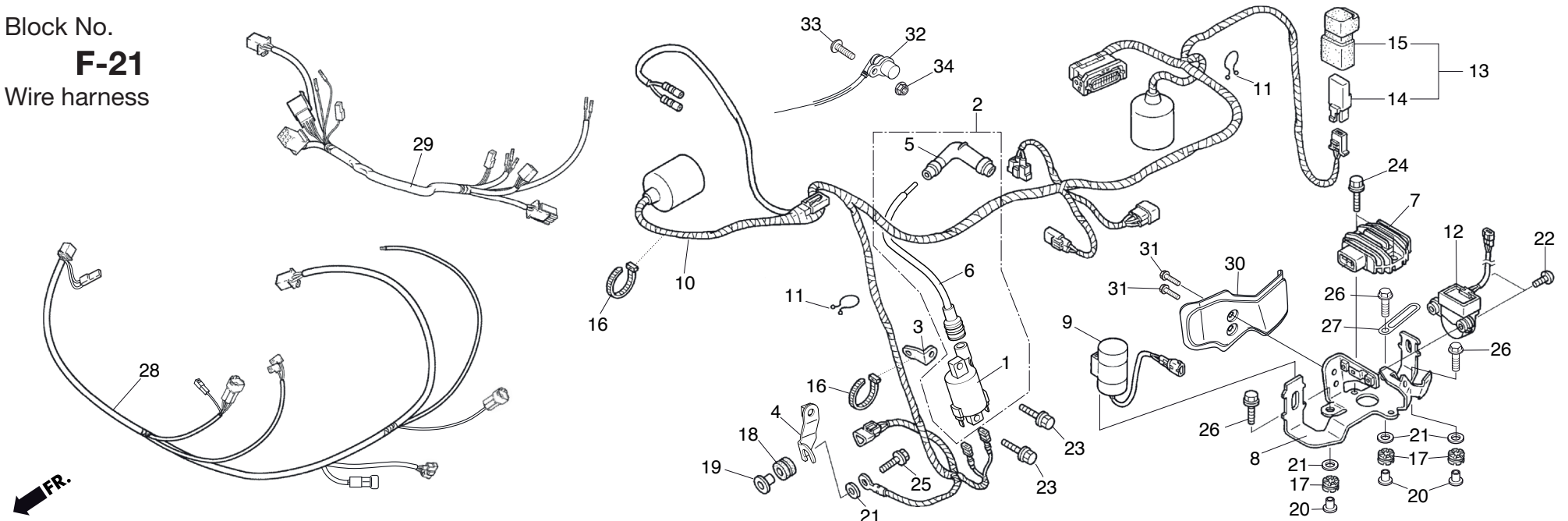
Block No.
F-20
Rear cushion (Showa)



FR.

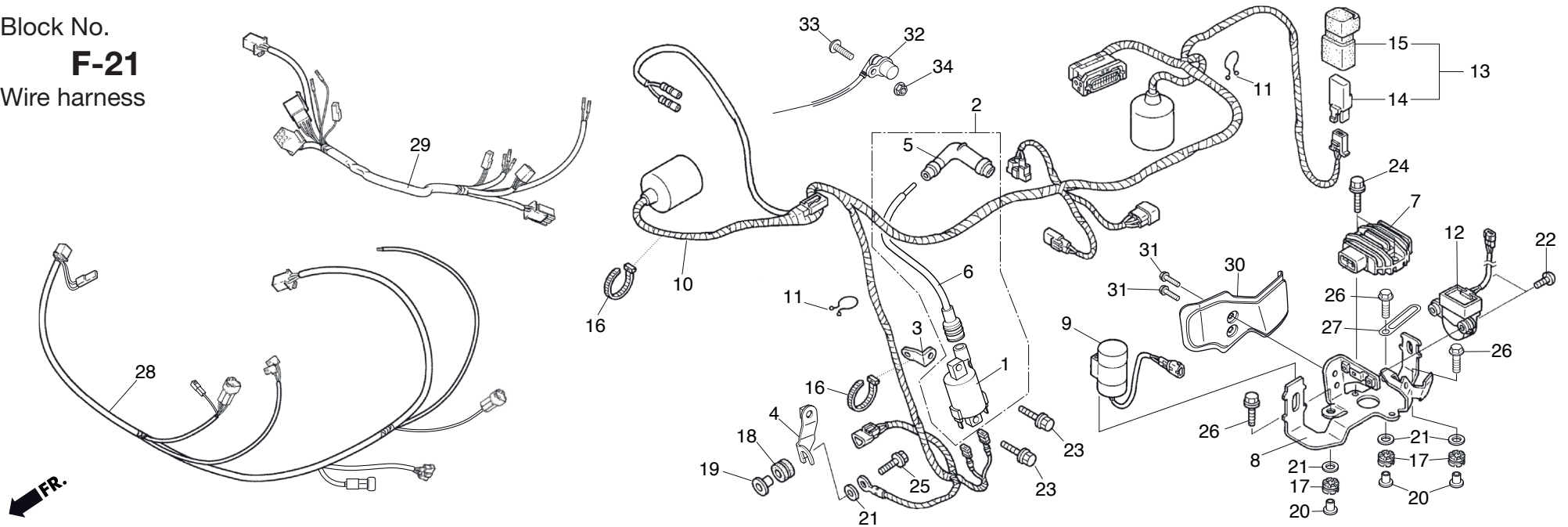
Ref.No.	Part No.	Description	Qty.	Ref.No.	Part No.	Description	Qty.
1	52400-NN4-T10	CUSHION ASSY., RR.....	1	17	90182-NN3-000	BOLT, FLANGE 10X57	3
2	52401-NN4-003	SPRING, REAR CUSH.....	1	18	90304-GA6-003	NUT, AXLE	5
3	52410-NN4-T10	DAMPER COMP., REAR	1	19	91051-NN1-000	SEAL, BEARING 15X21X3.....	4
4	52424-GC4-831	RING, STOPPER.....	2	20	91071-NN1-000	BEARING, NEEDLE 15X21X12.....	4
5	52425-169-003	CAP, AIR VALVE	1	21	91074-NN3-003	BEARING, SPHERICAL	2
6	52435-NN3-003	RING, STOPPER.....	1	22	91351-GS2-701	DUST SEAL, CUSHION UPPER	4
7	52459-NN3-003	SEAT, SPRING	1	23	52422-NX4-003	ADJUSTER, SPRING.....	1
8	52461-NN3-000	ARM, CUSH.....	2	24	52423-NX4-003	NUT, ADJUSTER.....	1
9	52462-NN3-000	COLLAR A, CUSH ARM	2				
10	52463-NN3-010	COLLAR LH., CUSH RINK.....	2				
11	52464-NN3-010	COLLAR RH., CUSH RINK	2				
12	52470-NN3-000	ROD ASSY., CUSH CONN.....	1				
13	52471-NN3-000	ROD, CUSH CONN	1				
14	52486-NN3-000	COLLAR, CUSH UP.....	2				
15	90120-NN3-000	BOLT, SOCKET 10X57.....	1				
16	90121-NN4-000	BOLT, SOCKET 10X45.....	1				

Block No.
F-21
Wire harness



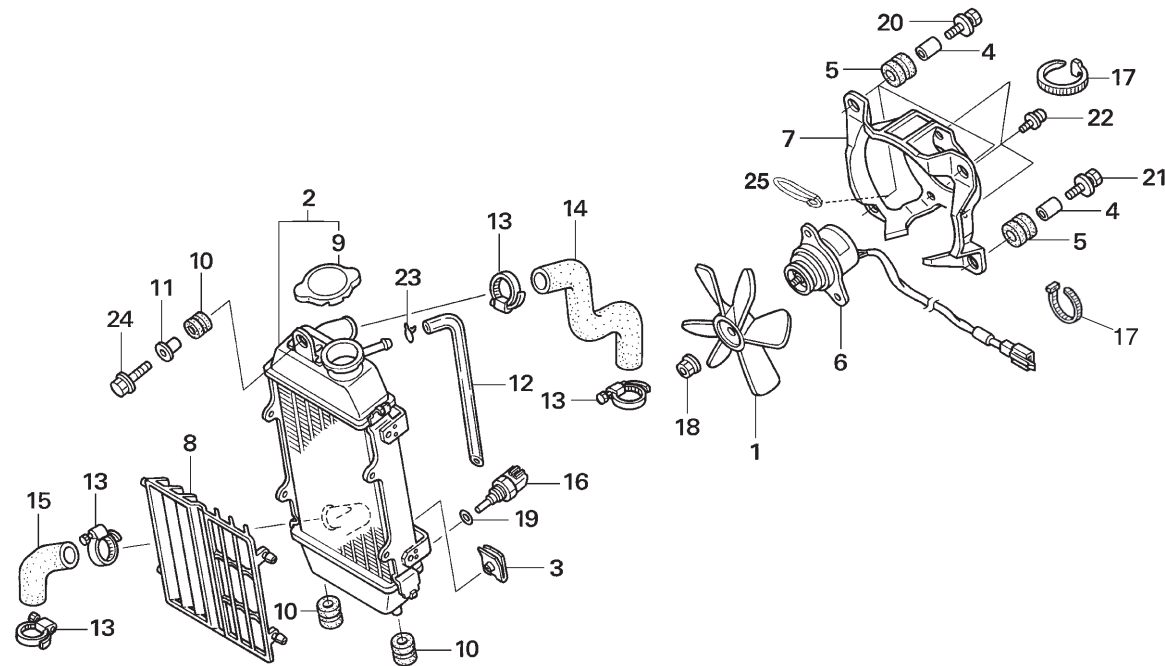
Ref.No.	Part No.	Description	Qty.	Ref.No.	Part No.	Description	Qty.
1	30500-ML7-013	COIL COMP, IGNITION	1	17	77208-KW7-900	RUBBER B, SEAT MOUNT	3
2	30510-NN4-000	COIL ASSY., IGNITION	1	18	80101-028-940	RUBBER, SPDMT. SETTING	1
3	30513-NN4-000	STAY UP, IGNITION COIL	1	19	30507-NN4-H00	COLLAR, COVER SET	1
4	30514-NN4-000	STAY LWR, IGNITION COIL	1	20	90501-425-000	COLLAR, 6.2X12	3
5	30700-KA2-013	CAP ASSY., NOISE (SUPPRESSOR)	1	21	90525-030-000	WASHER B, HANDLE HOLDER	4
6	30731-NN4-000	CORD ASSY., HIGH/T	1	22	92101-04020-0A	BOLT 4X20	2
7	31600-NN4-003	REGULATOR. RECTIFIER. ASSY.	1	23	96001-06018-00	BOLT, FLANGE SH 6X18	2
8	31605-NN4-G10	STAY, ELECTRIC	1	24	96001-06020-00	BOLT, FLANGE SH 6X20	2
9	31700-NN4-003	UNIT ASSY., CONDENSER	1	25	96001-06022-00	BOLT, FLANGE SH 6X22	1
10	32100-NN4-P10	HARNESS, WIRE	1	26	96001-06022-00	BOLT, FLANGE SH 6X22	3
11	32171-GF9-621	PURSE LOCK	2	27	91410-KT7-000	CLIP 4X60	1
12	35160-NN4-013	SENSOR ASSY., BANK ANGLE	1	28	32102-NN4-P10	SUBHARNESS FRAME (ED/2ED)	1
13	38500-GC7-612	RELAY ASSY., START	1	29	32101-NN4-J10	SUBHARNESS (H/L) (ED/2ED)	1
14	38501-GN2-014	RELAY COMP, START (4P, NO)	1	30	31606-NN4-G10	STAY, ELECTRIC COVER (ED/2ED)	1
15	38506-GC7-611	SUSP, START RELAY	1	31	96001-0600800	BOLT 6x8 mm. (ED/2ED)	2
16	61312-NN4-D10	TIE-BAND	2	32	44800-NN4-J10	SPEED SENSOR (ED/2ED)	1

Block No.
F-21
Wire harness



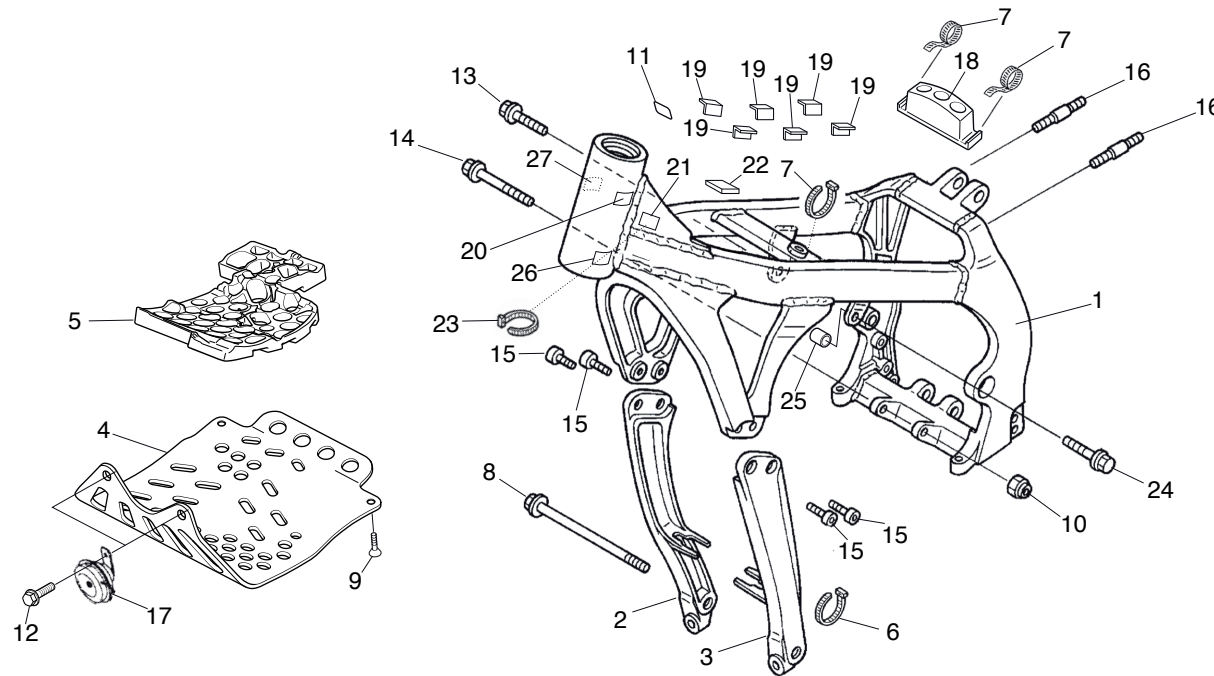
Ref.No.	Part No.	Description	Qty.	Ref.No.	Part No.	Description	Qty.
33	90116-NN4-J10	BOLT M6X16 (ED/2ED)	1				
34	90202-NN4-J10	NUT (ED/2ED)	1				

Block No.
F-22
Radiator



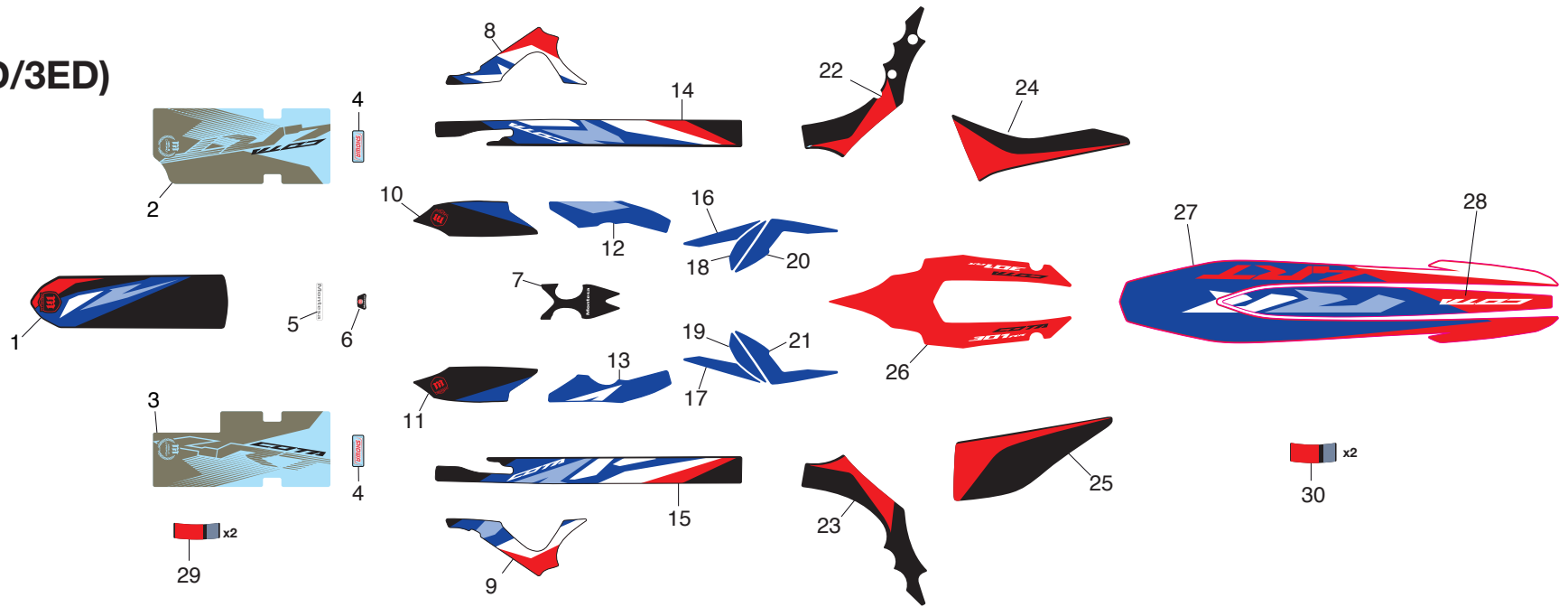
Ref.No.	Part No.	Description	Qty.	Ref.No.	Part No.	Description	Qty.
1	19009-KT7-000	FAN COMP., COOLING.....	1	17	90602-NN4-600	TIE-BAND BLACK 150mm	2
2	19010-NN4-013	RADIATOR COMP.	1	18	90308-KM3-003	NUT, TOOTHED 3mm.....	1
3	19014-KEA-003	SET, NUT	4	19	90454-MC7-000	WASHER, SPECIAL 12mm.....	1
4	19021-NN2-900	COLLAR, FAN SHROUD.....	4	20	93404-06018-07	BOLT-WASHER 6X18.....	3
5	19022-NN2-900	RUB, FAN SHROUD	4	21	93404-06020-07	BOLT-WASH, 6X20	1
6	19030-NN4-003	MOTOR, COOLING FAN.....	1	22	93891-04010-00	SCREW-WASH, 4X10.....	3
7	19031-NN4-L10	SHROUD, FAN.....	1	23	95002-02100	CLIP C10, TUBE	1
8	19033-NN4-000	GRILL, RADIATOR	1	24	96001-06028-00	BOLT, FLANGE SH 6X28	1
9	19037-MCA-G61	CAP COMP., RAD	1	25	90601-KJ9-000	CLIP	1
10	19051-KA3-830	RUBBER, RAD MOUNT	3				
11	19052-KA3-830	COLLAR, RAD MT	1				
12	19111-NN4-601	TUBE, RADIATOR DRAIN	1				
13	19504-KY1-003	CLAMP, WATER HOSE D25.....	4				
14	19531-NN4-000	HOSE UP, WATER.....	1				
15	19532-NN4-000	HOSE LOW, WATER	1				
16	37870-NN4-003	SENSOR ASSY., TW	1				

Block No.
F-23
Frame body



Ref.No.	Part No.	Description	Qty.	Ref.No.	Part No.	Description	Qty.
1	50100-NN4-J20	FRAME BODY COMP.	1	17	38110-NN4-C10	HORN (ED/2ED).....	1
2	50310-NN4-V10	BLACK TUBE RH., DOWN	1	18	80121-NN4-P10	PROTECTOR RUBBER.....	1
3	50320-NN4-V10	BLACK TUBE LH., DOWN	1	19	17506-NN4-000	RUBBER, FUEL TANK	6
4	50351-NN4-N10	SLIDE PLATE	1	20	87615-NN4-T10	MARK UK/CA CE STICKER (3ED/4ED)	1
5	50352-NN4-P10	RUBBER A, ENG CUSH	1	21	90604-NN4-P10	AUTOADHESIVE BASE	1
6	90602-NN4-600	TIE-BAND BLACK 150 mm	1	22	17513-NN3-300	FUEL TANK PROTECTOR	1
7	61312-NN4-D10	TIE-BAND	3	23	90603-NN4-C10	TIE-BAND BLACK 95mm	1
8	90119-MJ0-000	BOLT, FLANGE 10X130	1	24	96300-08032-00	BOLT, FLANGE 8X32	1
9	90125-NN2-900	SCREW, FLANT 8X20.....	2	25	50343-NN3-000	COLLAR UP ENG HANGER	1
10	90304-GA6-003	NUT, AXLE	1	26	87302-NN4-T10	LABEL UK IMPORTER (3ED/4ED)	1
11	86150-NN4-K10	EMBLEM, PRODUCT	1	27	87301-NN4-T10	LABEL MANUFACTURER (ED/2ED)	1
12	93405-08020-00	BOLT-WASHER 8X20.....	2				
13	96300-08018-00	BOLT, FLANGE DR 8X18.....	1				
14	96400-10085-00	BOLT, FLANGE DR 10X85	1				
15	90116-NN4-H00	SOCKET BOLT, 8X19.....	4				
16	92900-06022-0B	STUD 2. 6X22	2				

Block No.
F-24 (ED/3ED)
Emblem
Stripe

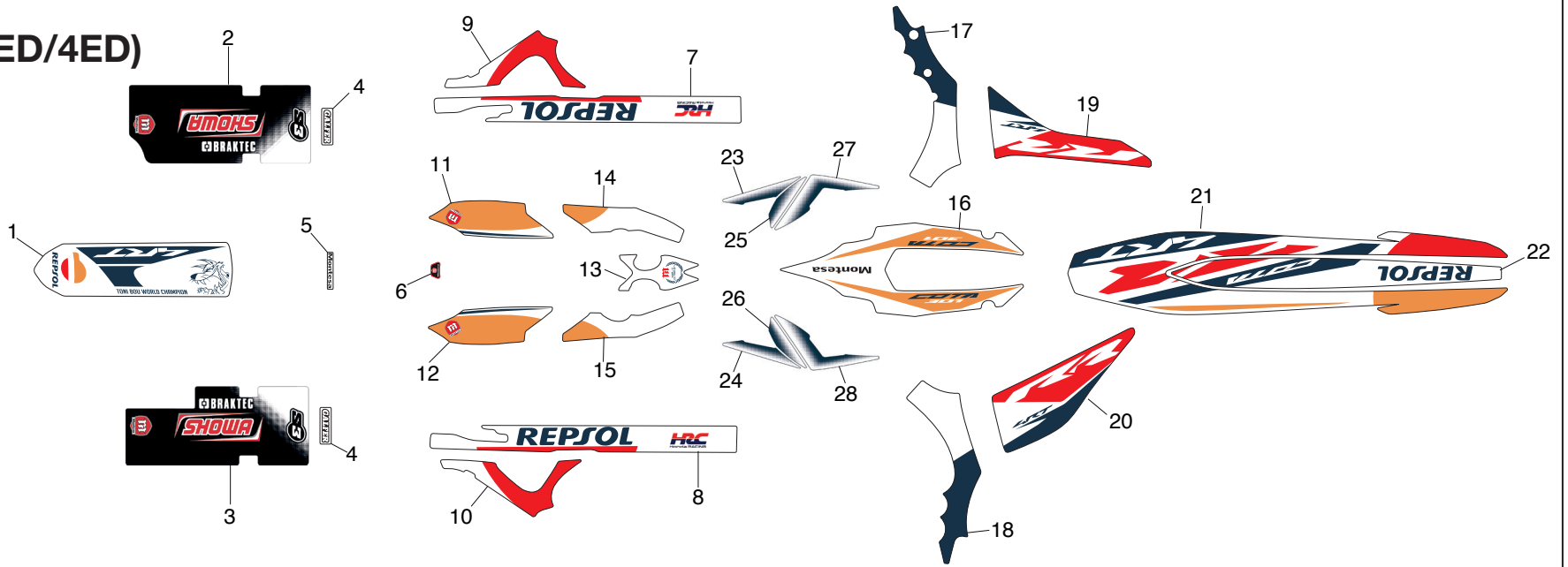


Ref.No.	Part No.	Description	Qty.	Ref.No.	Part No.	Description	Qty.
1	87131-NN4-V60	STRIPE FRONT FENDER.....	1	17	87174-NN4-V60	STRIPE LH P1, FENDER RR.....	1
2	87139-NN4-V10	STRIPE RH, FR. FORK	1	18	87175-NN4-V60	STRIPE RH P2, FENDER RR	1
3	87140-NN4-V10	STRIPE LH, FR. FORK.....	1	19	87176-NN4-V60	STRIPE LH P2, FENDER RR	1
4	87159-NN4-S10	SPONSOR MARK, SHOWA.....	2	20	87177-NN4-V60	STRIPE RH P3, FENDER RR	1
5	87143-NN4-J10	STRIPE H/L VISOR (ED)	1	21	87178-NN4-V60	STRIPE LH P3, FENDER RR.....	1
6	86150-NN4-K10	EMBLEM "M/MONTESA"	1	22	87151-NN4-V60	REAR RH STRIPE FRAME.....	1
7	87170-NN4-V10	STRIPE FR C , RR FENDER	1	23	87152-NN4-V60	REAR LH STRIPE FRAME	1
8	87146-NN4-V60	STRIPE RH LOWER BODY.....	1	24	87153-NN4-V60	PROTECT MUFFLER STRIPE.....	1
9	87147-NN4-V60	STRIPE LH LOWER BODY	1	25	87154-NN4-V60	A/C CASE STRIPE	1
10	87155-NN4-V60	STRIPE RH FUEL TANK.....	1	26	87135-NN4-V60	STRIPE 260 RR FENDER.....	1
11	87156-NN4-V60	STRIPE LH FUEL TANK	1	27	87136-NN4-V60	STRIPE RR, RR FENDER.....	1
12	87171-NN4-V60	STRIPE FR RH , RR FENDER	1	28	87137-NN4-V60	STRIPE RR CENTER, RR FENDER	1
13	87172-NN4-V60	STRIPE FR LH , RR FENDER	1	29	87144-NN4-V10	STRIPE RIM FR	2
14	87132-NN4-V60	STRIPE RH MAIN FRAME	1	30	87142-NN4-V10	STRIPE RIM RR	2
15	87133-NN4-V60	STRIPE LH MAIN FRAME.....	1				
16	87173-NN4-V60	STRIPE RH P1, FENDER RR	1				

Block No.

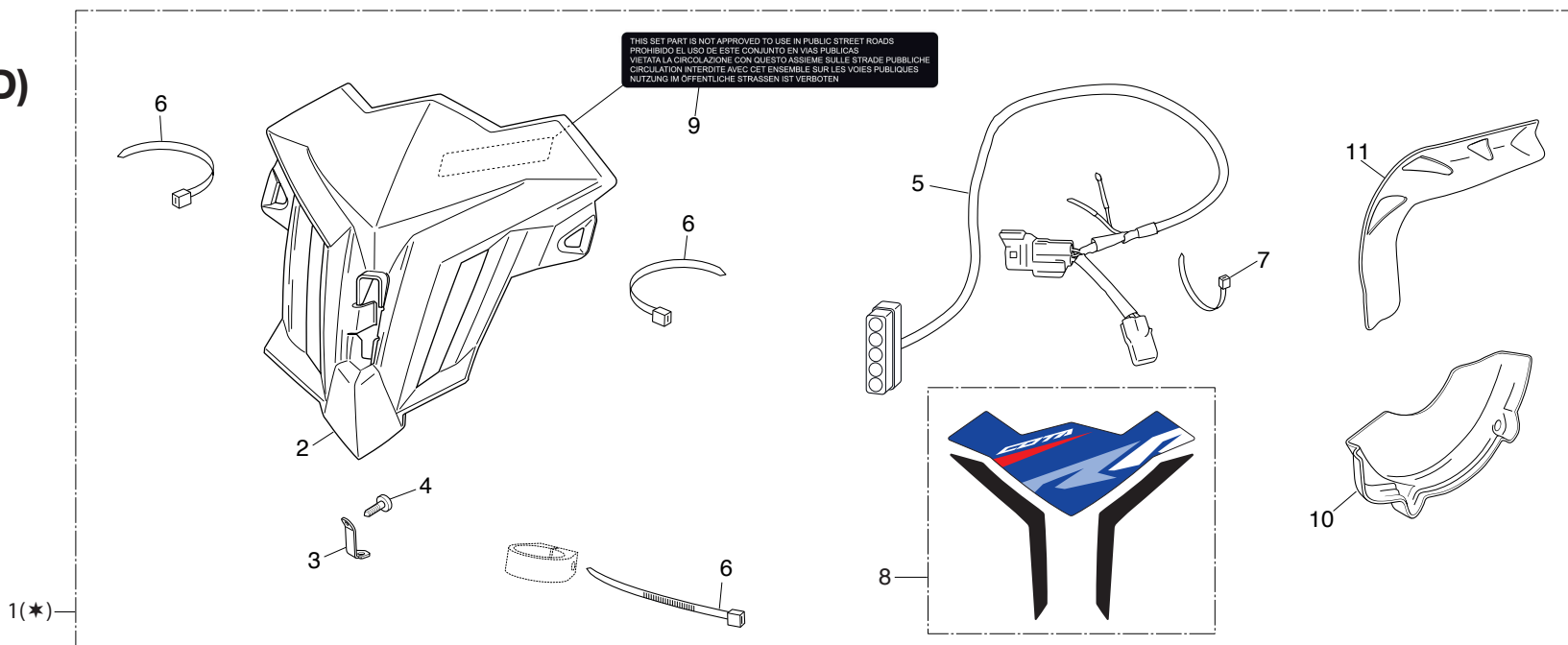
F-24 (2ED/4ED)

Emblem
Stripe



Ref.No.	Part No.	Description	Qty.	Ref.No.	Part No.	Description	Qty.
1	87131-NN4-P20	STRIPE FRONT FENDER.....	1	17	87151-NN4-P20	REAR RH STRIPE FRAME.....	1
2	87139-NN4-S70	STRIPE RH, FR. FORK	1	18	87152-NN4-P20	REAR LH STRIPE FRAME	1
3	87140-NN4-S70	STRIPE LH, FR. FORK.....	1	19	87153-NN4-S70	STRIPE RH , PROTECTOR MUFFLER	1
4	87159-NN4-S70	SPONSOR MARK, GALFER	2	20	87154-NN4-S70	STRIPE LH , PROTECTOR AIR CLEANER	1
5	87143-NN4-J10	EMBLEM "MONTESA" WITHE (2ED).....	1	21	87136-NN4-S70	STICKER REAR FENDER	1
6	86150-NN4-K10	EMBLEM "M / MONTESA"	1	22	87137-NN4-S70	REAR FENDER CENTRAL STICKER.....	1
7	87132-NN4-T20	STRIPE RH, FRAMBODY MAIN RH	1	23	87173-NN4-S70	STRIPE RH P1, FENDER RR	1
8	87133-NN4-T20	STRIPE LH , FRAMBODY MAIN LH	1	24	87174-NN4-S70	STRIPE LH P1, FENDER RR.....	1
9	87146-NN4-V20	STRIPE RH, LOWER BODY.....	1	25	87175-NN4-S70	STRIPE RH P2, FENDER RR	1
10	87147-NN4-V20	STRIPE LH, LOWER BODY	1	26	87176-NN4-S70	STRIPE LH P2, FENDER RR.....	1
11	87155-NN4-P20	RH STICKER FUEL TANK.....	1	27	87177-NN4-S70	STRIPE RH P3, FENDER RR	1
12	87156-NN4-P20	LH STICKER FUEL TANK	1	28	87178-NN4-S70	STRIPE LH P3, FENDER RR.....	1
13	87170-NN4-S70	STRIPE FR C , RR FENDER	1				
14	87171-NN4-S70	STRIPE FR RH , RR FENDER	1				
15	87172-NN4-S70	STRIPE FR LH , RR FENDER	1				
16	87135-NN4-S70	STRIPE MIDLE, RRFENDER.....	1				

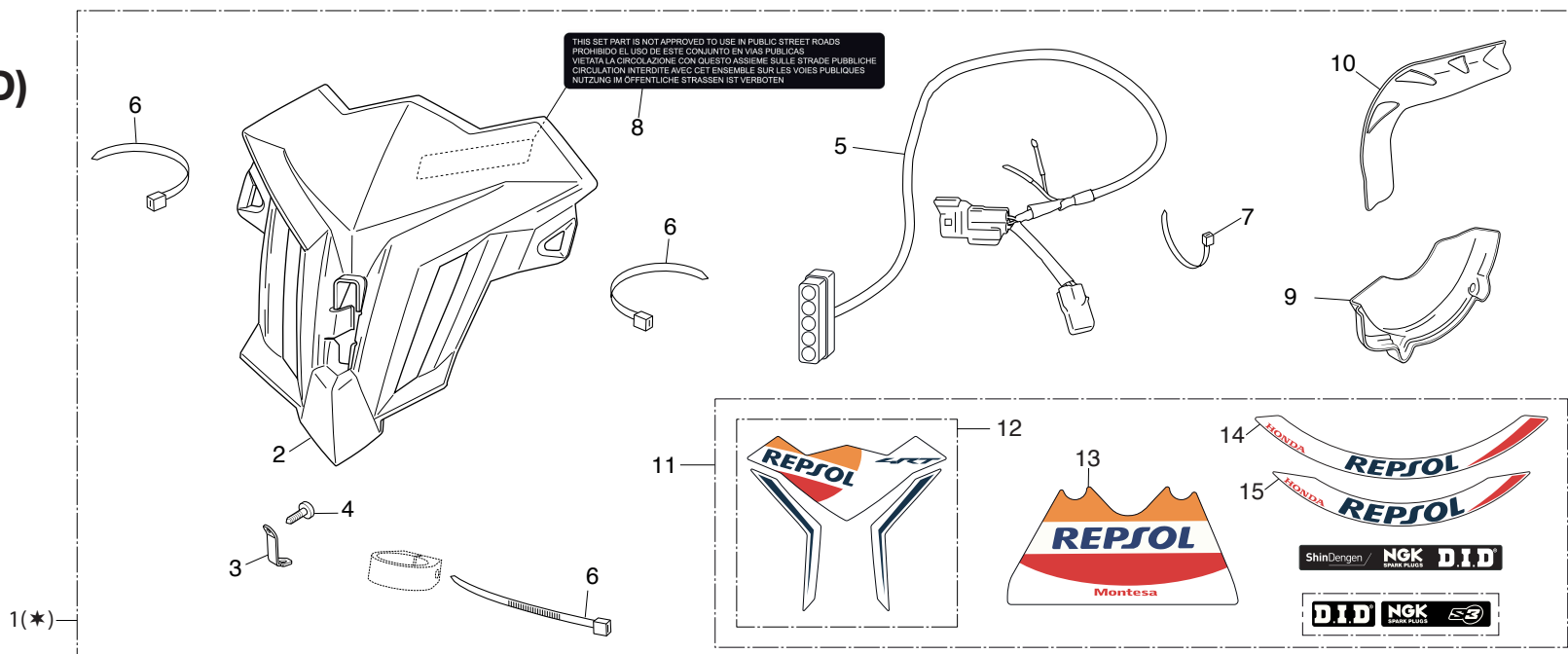
Block No.
F-25 (ED/3ED)
Optional parts



Ref.No.	Part No.	Description	Qty.	Ref.No.	Part No.	Description	Qty.
1	08MRT-NN4-V60	SET (COMPLETE)	1				
2	61310-REP-P10ZA	COVER.....	1				
3	61315-REP-J00	SUPPORT	1				
4	90113-NN4-L80	SCREW D3.9x9.5.....	1				
5	34901-REP-P10	HEADLIGHT WITH WIRING	1				
6	61312-NN4-D10	TIE-BAND (200 mm)	3				
7	90603-NN4-C10	TIE-BAND (95 mm)	1				
8	87143-NN4-V60	HEADLAMP STICKER	1				
9	----	ADVERTISEMENT STICKER.....	1				
10	11330-REP-SOL	CLUTCH COVER PROTECTOR.....	1				
11	18328-REP-R00	EXHAUST PIPE PROTECTOR	1				

(*) This set part is not approved to use in public street roads.

Block No.
F-25 (2ED/4ED)
Optional parts



FR.

Ref.No.	Part No.	Description	Qty.	Ref.No.	Part No.	Description	Qty.
1	08MRT-NN4-V20	SET (COMPLETE)	1				
2	61310-REP-P10ZC	COVER.....	1				
3	61315-REP-J00	SUPPORT	1				
4	90113-NN4-L80	SCREW D3.9x9.5.....	1				
5	34901-REP-P10	HEADLIGHT WITH WIRING	1				
6	61312-NN4-D10	TIE-BAND (200 mm)	3				
7	90603-NN4-C10	TIE-BAND (95 mm)	1				
8	----	ADVERTISEMENT STICKER.....	1				
9	11330-REP-SOL	CLUTCH COVER PROTECTOR.....	1				
10	18328-REP-R00	EXHAUST PIPE PROTECTOR.....	1				
11	87100-NN4-V20	SPONSOR STICKER	1				
12	87143-REP-P20	HEADLAMP STICKER	1				
13	87146-REP-P20	CRANKCASE PROTECTOR STICKER	1				
14	87144-REP-P20	FRONT RIM STICKERS.....	1				
15	87142-REP-P20	REAR RIM STICKERS.....	1				

(*) This set part is not approved to use in public street roads.

PART No. INDEX COTA 301RR 2024

Part No.	Block	Ref.No.	Part No.	Block	Ref.No.	Part No.	Block	Ref.No.	Part No.	Block	Ref.No.
06000			13101-NN4-P60	E-12	3	15412-NN4-000	E-11	7	17358-NN2-000	F-15	12
06435-NN4-T10	F-10	2	13111-NN4-L60	E-12	4	15414-MEB-670	E-11	8	17500-NN4-P20	F-13 (ED/2ED)	2
08000			13115-147-000	E-06	1	15421-NN4-000	E-11	9	17500-NN4-P40	F-13 (3ED/4ED)	2
08MRT-NN4-V20	F-25 (2ED/4ED)	1	13115-NN4-L60	E-12	5	15611-KA3-710	E-05	5	17500-NN4-V60	F-13 (ED/2ED)	2
08MRT-NN4-V60	F-25 (ED/3ED)	1	13331-Z8B-900	E-12	6	15650-NN4-000	E-11	10	17500-NN4-V70	F-13 (3ED/4ED)	2
			13617-NN4-000	E-12	7	15707-634-000	F-15	1	17506-NN4-000	F-23	19
11000			14000			16000			17507-NN4-P10	F-13 (ED/2ED)	20
11100-NN4-P60	E-11	1	14100-NN4-D00	E-02	2	16016-NN4-003	E-16	6	17507-NN4-P10	F-13 (3ED/4ED)	20
11105-NN4-000	E-11	2	14401-NN4-003	E-03	1	16180-ML6-671	F-13 (ED/2ED)	28	17509-NN4-000	F-13 (ED/2ED)	4
11191-NN4-000	E-11	3	14430-NN4-000	E-02	3	16211-NN4-000	E-01	6	17509-NN4-000	F-13 (3ED/4ED)	4
11200-NN4-P60	E-11	4	14440-NN4-000	E-02	4	16213-NN4-600	E-01	27	17513-NN3-300	F-23	22
11206-NN4-000	E-11	5	14440-NN4-000	E-02	4	16213-NN4-600	E-01	27	17519-NN4-L10	F-13 (ED/2ED)	15
11330-NN4-000	E-05	1	14450-NN4-000	E-02	5	16215-NN4-000	E-01	7	17519-NN4-L10	F-13 (3ED/4ED)	15
11330-REP-SOL	F-25 (ED/3ED)	10	14460-NN4-000	E-02	6	16216-MCZ-000	E-01	8	17521-NN4-G00	F-13 (3ED/4ED)	21
11330-REP-SOL	F-25 (2ED/4ED)	9	14510-NN4-000	E-03	2	16400-NN4-P61	E-16	1	17521-NN4-M10	F-13 (ED/2ED)	21
11340-NN4-P60	E-09	1	14515-KF0-000	E-03	3	16400-NN4-P71	E-16	1	17522-NN4-M10	F-13 (ED/2ED)	27
11350-NN4-P60	E-05	2	14520-KRN-671	E-03	4	16420-NN4-L10	E-16	2	17523-NN4-G00	F-13 (ED/2ED)	6
11352-NN4-003	E-05	3	14560-MEN-671	E-03	5	16700-NX7-003	F-13 (ED/2ED)	1	17523-NN4-G00	F-13 (3ED/4ED)	6
11394-NN4-000	E-05	4	14620-NN4-000	E-03	6	16700-NX7-003	F-13 (3ED/4ED)	1	17524-NN4-M10	F-13 (ED/2ED)	26
11395-NN4-000	E-09	2	14711-NN4-000	E-02	7	16711-MEN-A30	F-13 (ED/2ED)	9	17551-NN4-000	F-15	14
			14721-NN4-000	E-02	8	16711-MEN-A30	F-13 (3ED/4ED)	9	17552-NN4-000	F-15	15
12000			14751-NN4-000	E-02	9	16712-MEN -A30	F-13 (ED/2ED)	8	17553-NN4-000	F-15	16
12010-NN4-000	E-01	1	14752-NN4-000	E-02	10	16712-MEN -A30	F-13 (3ED/4ED)	8	17554-NN4-000	F-15	17
12100-NN4-P60	E-04	1	14771-KW3-900	E-02	11	17000			17575-MEN -A30	F-13 (ED/2ED)	23
12191-NN4-P60	E-04	2	14776-NN4-000	E-02	12	17211-NN4-P10	F-15	3	17575-MEN-A30	F-13 (3ED/4ED)	23
12203-KA5-690	E-01	2	14781-ML0-720	E-02	13	17212-NN4-000	F-15	4	17576-MEN -A30	F-13 (ED/2ED)	24
12209-ML0-722	E-02	1	15000			17213-NN4-000	F-15	5	17576-MEN-A30	F-13 (3ED/4ED)	24
12251-NN4-P60	E-01	3	15111-NN4-000	E-07	1	17230-NN4-H00	F-15	6	17621-NN4-P10	F-13 (ED/2ED)	10
12312-NN4-000	E-01	4	15133-NN4-000	E-07	2	17231-NN4-300	F-15	7	17621-NN4-P10	F-13 (3ED/4ED)	10
12351-NN4-000	E-01	5	15220-MEB-770	E-09	3	17232-NN4-300	F-15	8	17624-NN4-P10	F-13 (ED/2ED)	11
13000			15331-324-000	E-07	3	17234-NN4-300	F-15	2	17624-NN4-P10	F-13 (3ED/4ED)	11
1300A-NN4-P60	E-12	1	15332-324-000	E-07	4	17236-NN3-830	F-15	9	17625-NF4-003	F-13 (ED/2ED)	3
13011-NN4-P60	E-12	2	15412-MEN-671	E-11	6	17253-NN4-000	F-15	10	17625-NF4-003	F-13 (3ED/4ED)	3

PART No. INDEX COTA 301RR 2024

Part No.	Block	Ref.No.	Part No.	Block	Ref.No.	Part No.	Block	Ref.No.	Part No.	Block	Ref.No.
17711-S0X-931	E-16	5	19111-NN4-601	F-22	12	23221-NN4-000	E-13	2	24329-KA3-740	E-14	15
17910-NN4-B01	F-01	1	19114-NN4-600	F-13 (ED/2ED)	18	23225-KS6-000	E-13	3	24430-NN4-000	E-14	16
			19114-NN4-600	F-13 (3ED/4ED)	18	23411-NN4-000	E-13	4	24435-KA3-710	E-14	17
18000			19215-GC4-731	E-08	1	23413-NN4-000	E-13	5	24610-NN4-000	E-14	18
18291-NN4-000	F-16	1	19221-NN4-000	E-08	2	23421-NN4-000	E-13	6	24651-MEB-670	E-14	19
18310-NN4-P60	F-16	2	19229-NN4-000	E-08	3	23422-GB4-770	E-13	7	24652-HA0-000	E-14	20
18310-NN4-P70	F-16	2	19240-NN4-010	E-08	4	23431-NN4-000	E-13	8	24700-NN4-L60	F-17	1
18320-NN4-M60	F-16	4	19504-KY1-003	F-22	13	23441-NN4-000	E-13	9			
18323-NN4-000	F-16	5	19531-NN4-000	F-22	14	23451-NN4-000	E-13	10	28000		
18323-NN4-M10	F-16	5	19532-NN4-000	F-22	15	23452-NN4-000	E-13	11	28210-NN4-000	E-15	1
18328-REP-R00	F-25 (ED/3ED)	11				23461-NN4-000	E-13	12	28230-NN4-000	E-15	2
18328-REP-R00	F-25 (2ED/4ED)	10	22000			23462-NN4-000	E-13	13	28237-KZ4-A10	E-06	11
18330-NN4-L70	F-16	4	22100-NN4-000	E-06	2	23471-NN4-000	E-13	14	28241-KA3-710	E-15	3
18345-MBT-610	F-04 (ED/2ED)	37	22121-NN4-000	E-06	3	23481-NN4-000	E-13	15	28242-KA3-710	E-15	4
18374-ML4-003	F-16	6	22201-KY2-000	E-06	4	23491-NN4-000	E-13	16	28251-NN4-000	E-15	5
18383-NN4-G10	F-16	20	22201-NN4-B00	E-06	5	23801-NN4-000	E-13	17	28261-KA3-710	E-15	6
18391-MB0-891	F-16	7	22321-MG3-000	E-06	6	23811-NN4-N10	E-09	19	28262-NN4-010	E-15	7
18601-MBW-003	E-11	11	22351-NN4-000	E-06	7				28263-NN4-000	E-15	8
			22352-NN4-000	E-06	8	24000			28282-NN4-000	E-15	9
19000			22361-NN4-000	E-06	9	24211-KRN-730	E-14	1	28300-NN4-L60	F-17	2
19009-KT7-000	F-22	1	22402-NN4-000	E-06	10	24221-KRN-730	E-14	2	28302-NN4-000	F-17	3
19010-NN4-013	F-22	2	22403-NN4-L60	E-06	20	24231-NN4-000	E-14	3	28306-MEN-670	F-17	4
19014-KEA-003	F-22	3	22863-NN3-000	E-05	6	24241-MEN-670	E-14	4	28333-KK0-000	F-17	5
19021-NN2-900	F-22	4	22864-NN3-000	E-05	7	24242-MEN-670	E-14	5			
19022-NN2-900	F-22	5	22880-NN4-N60	F-03	1	24311-NN4-000	E-14	6	30000		
19030-NN4-003	F-22	6	22882-NN4-N60	F-02	5	24312-KA3-741	E-14	7	30500-ML7-013	F-21	1
19031-NN4-L10	F-22	7	22882-NN4-N60	F-03	5	24315-HA0-000	E-14	8	30507-NN4-H00	F-21	19
19033-NN4-000	F-22	8	22883-NN4-L60	F-03	2	24321-KZ4-620	E-14	9	30510-NN4-000	F-21	2
19037-MCA-G61	F-22	9	22900-NN4-J11	F-03	10	24322-MM4-000	E-14	10	30513-NN4-000	F-21	3
19051-KA3-830	F-16	22				24324-KA3-711	E-14	11	30514-NN4-000	F-21	4
19051-KA3-830	F-22	10	23000			24325-KA3-711	E-14	12	30700-KA2-013	F-21	5
19052-KA3-830	F-22	11	23121-NN4-000	E-12	8	24326-KBH-901	E-14	13	30731-NN4-000	F-21	6
19052-MAC-680	F-16	8	23211-NN4-000	E-13	1	24328-NN4-000	E-14	14			

PART No. INDEX COTA 301RR 2024

Part No.	Block	Ref.No.	Part No.	Block	Ref.No.	Part No.	Block	Ref.No.	Part No.	Block	Ref.No.
31000			35000			40544-NN4-C00	F-12	1	43511-NN4-000	F-11	4
31110-NN4-003	E-10	1	35130-NN4-M60	F-01	2				43520-NN4-K10	F-11	5
31120-NN4-B01	E-10	2	35150-NN4-L10	F-01	18	41000					
31121-NN4-000	E-10	3	35160-NN4-013	F-21	12	41201-NN4-T60	F-12	2	44000		
31600-NN4-003	F-21	7	35342-NN4-600	F-18	20				44301-NN3-000	F-09	2
31605-NN4-G10	F-21	8	35343-NN4-N10	F-02	10	42000			44311-NN4-000	F-09	3
31606-NN4-G10	F-21	30	35344-NN4-N30	F-02	14	42301-NN4-P10	F-12	3	44602-NN4-L60	F-09	4
31700-NN4-003	F-21	9	35350-NN4-600	F-02	8	42311-NN4-H00	F-12	4	44603-NN4-H01	F-09	5
			35350-NN4-600	F-18	21	42312-NN4-H00	F-12	5	44608-KZ4-J40	F-09	6
32000			35351-NN4-600	F-02	9	42602-NN4-L60	F-12	6	44620-NN4-J10	F-09	8
32100-NN4-P10	F-21	10	35351-NN4-601	F-18	22	42603-NN4-H01	F-12	7	44650-NN4-L60	F-09	7
32101-NN4-J10	F-21	29	35400-NN4-D00	F-01	17	42604-NN4-H01	F-12	8	44650-NN4-S70	F-09	7
32102-NN4-P10	F-21	28				42605-NN4-H01	F-12	9	44701-NN4-J20	F-09	9
32103-NN4-L10	F-13 (ED/2ED)	19	36000			42606-NN4-H01	F-12	25	44701-NN4-L61	F-09	9
32103-NN4-L10	F-13 (3ED/4ED)	19	36532-GFC-771	F-16	19	42607-NN4-H00	F-12	10	44711-NN4-R20	F-09	10
32171-GF9-621	F-21	11				42620-NN4-H00	F-12	12	44713-KR9-008	F-09	12
			37000			42650-NN4-L60	F-12	11	44715-MA0-770	F-09	13
33000			37105-NN4-P10	F-04 (ED/2ED)	39	42650-NN4-S70	F-12	11	44800-NN4-J10	F-21	32
33100-NN4-C10	F-04 (ED/2ED)	13	37200-NN4-P10	F-04 (ED/2ED)	14	42701-NN4-J20	F-12	13			
33400-NN4-J10	F-04 (ED/2ED)	18	37715-NN4-P10	F-10	4	42701-NN4-L61	F-12	13	45000		
33450-NN4-J10	F-04 (ED/2ED)	19	37870-NN4-003	F-22	16	42714-KA3-710	F-09	1	45100-NN4-N60	F-08	1
33600-NN4-J10	F-14	7				42753-KBS-901	F-12	15	45105-NN4-N20	F-08	2
33650-NN4-J10	F-14	8	38000						45108-NN4-N20	F-08	4
33700-NN4-J10	F-14	9	38110-NN4-C10	F-23	17	43000			45109-NN4-N20	F-08	5
33741-KEB-621	F-14	24	38300-NN4-G10	F-04 (ED/2ED)	11	43100-NN4-P10	F-10	1	45120-NN4-N20	F-08	3
33741-NN4-M11	F-06	10	38500-GC7-612	F-04 (ED/2ED)	10	43120-NN3-305	F-10	3	45125-NN4-J11	F-02	13
33742-NN4-M10	F-06	11	38500-GC7-612	F-21	13	43121-NN4-P10	F-12	16	45331-NN3-830	F-09	15
33743-NN4-M10	F-06	12	38501-GN2-014	F-21	14	43310-NN4-J11	F-11	1	45332-NN4-P10ZB	F-09	16
			38506-GC7-611	F-21	15	43330-NN4-J10	F-12	17	45332-NN4-P10ZC	F-09	16
34000			40000			43352-568-003	E-05	8	45351-NN4-P10	F-09	17
34901-NN2-900	F-04 (ED/2ED)	12	40510-NN3-000	F-19	1	43353-461-771	E-05	9	45352-NN4-P10	F-09	18
34901-REP-P10	F-25 (ED/3ED)	5	40530-NN2-000	F-19	2	43468-KZ3-B00	F-19	42	45468-NN2-000ZA	F-04 (ED/2ED)	23
34901-REP-P10	F-25 (2ED/4ED)	5	40531-NN2-000	F-19	3	43500-NN4-K11	F-11	2	45468-NN2-000ZB	F-04 (3ED/4ED)	2
						43510-NN2-900	F-11	3			

PART No. INDEX COTA 301RR 2024

Part No.	Block	Ref.No.	Part No.	Block	Ref.No.	Part No.	Block	Ref.No.	Part No.	Block	Ref.No.
45500-NN4-N60	F-02	1	51000			52170-NN4-000	F-19	11	53142-NN3-000	F-01	4
45530-NN4-N10	F-02	4	51400-NN4-G11	F-07	1	52171-NN3-000	F-19	12	53160-NN4-000	F-01	5
45530-NN4-N10	F-03	4	51410-NN4-003	F-07	2	52181-NN4-000	F-19	13	53161-NN3-000	F-01	6
45540-NN4-L60	F-02	2	51412-NN4-003	F-07	3	52182-NN4-J10	F-19	14	53163-NN2-900	F-01	7
			51414-NN4-G01	F-07	4	52400-NN4-T10	F-20	1	53164-KR8-000	F-01	8
46000			51415-NN4-G01	F-07	5	52401-NN4-003	F-20	2	53165-KR8-000	F-01	9
46500-NN4-T10	F-17	6	51420-NN4-003	F-07	6	52410-NN4-T10	F-20	3	53166-KR8-000	F-01	10
46514-KY2-700	F-19	5	51421-NN3-821	F-07	7	52422-NX4-003	F-20	23	53167-NN2-900	F-01	11
46521-NN4-000	F-17	7	51422-NN3-821	F-07	8	52423-NX4-003	F-20	24	53168-NN2-900	F-01	12
46525-KK0-003	F-17	8	51425-NN3-821	F-07	9	52424-GC4-831	F-20	4	53169-NN2-900	F-01	13
46531-NN4-000	F-17	9	51430-NN4-G01	F-07	10	52425-169-003	F-20	5	53170-NN4-K20	F-02	3
46532-NN4-000	F-17	10	51437-MN5-003	F-07	11	52435-NN3-003	F-20	6	53172-NN4-J30	F-03	12
			51441-NN4-G01	F-07	12	52459-NN3-003	F-20	7	53173-NN4-J30	F-03	13
50000			51447-MK7-671	F-07	13	52461-NN3-000	F-20	8	53180-NN4-J10	F-03	3
50100-NN4-J20	F-23	1	51450-NN4-G01	F-07	14	52462-NN3-000	F-20	9	53200-NN4-V60	F-05	1
50310-NN4-V10	F-23	2	51458-NN3-821	F-07	15	52463-NN3-010	F-19	15	53214-KA4-701	F-05	3
50320-NN4-V10	F-23	3	51500-NN4-G11	F-07	16	52463-NN3-010	F-20	10	53214-KCY-671	F-05	2
50343-NN3-000	F-23	25	51501-NN4-003	F-07	17	52464-NN3-010	F-19	16	53215-MEE-D00	F-04 (3ED/4ED)	10
50351-NN4-N10	F-23	4	51502-NN3-821	F-07	18	52464-NN3-010	F-20	11	53215-MEE-D00	F-04 (ED/2ED)	6
50352-NN4-P10	F-23	5	51510-NN4-003	F-07	19	52470-NN3-000	F-20	12	53229-NN4-G00	F-05	4
50530-NN4-S60	F-18	1	51520-NN3-821	F-07	20	52471-NN3-000	F-20	13	53230-NN4-V60	F-04 (3ED/4ED)	13
50536-NN4-N61	F-18	3	51530-NN4-003	F-07	21	52486-NN3-000	F-20	14	53230-NN4-V60	F-04 (ED/2ED)	9
50541-MBL-610	F-18	2	51531-NN3-821	F-07	22				53600-NN4-J10	F-05	9
50542-MBL-610	F-18	15	51541-NN3-821	F-07	23	53000					
50600-NN4-T10	F-18	4	51550-NN4-G01	F-07	24	53100-NN4-K20	F-04 (3ED/4ED)	11	55000		
50602-NN4-J10	F-18	6				53100-NN4-K20	F-04 (ED/2ED)	7	55102-166-000	F-15	18
50616-NN4-L60	F-18	7	52000			53121-NN4-K20	F-04 (3ED/4ED)	5			
50617-NN4-J10	F-18	8	52100-NN4-J20	F-19	6	53121-NN4-K20	F-04 (ED/2ED)	1	61000		
50618-NN4-J10	F-18	9	52109-KA4-701	F-19	7	53121-NN4-V11	F-04 (3ED/4ED)	5	61050-NN4-P20	F-06	4
50639-ML0-010	F-18	5	52141-NN2-000	F-19	8	53121-NN4-V11	F-04 (ED/2ED)	1	61050-NN4-V60	F-06	4
50642-NN4-L60	F-18	10	52143-NN4-J10	F-19	43	53131-NN4-J10	F-04 (3ED/4ED)	8	61100-NN4-P20	F-06	1
50700-NN4-T10	F-18	11	52144-KA3-731	F-19	9	53131-NN4-J10	F-04 (ED/2ED)	4	61100-NN4-V60	F-06	1
			52157-NN4-J10	F-19	10	53141-NN4-000	F-01	3	61101-NN4-K10AB	F-06	9

PART No. INDEX COTA 301RR 2024

Part No.	Block	Ref.No.	Part No.	Block	Ref.No.	Part No.	Block	Ref.No.	Part No.	Block	Ref.No.
61101-NN4-K10AC	F-06	9	64615-KR1-860	F-13 (3ED/4ED)	13	83512-KA4-700	F-16	16	87144-NN4-V10	F-24 (ED/3ED)	29
61102-NN3-820	F-06	6	64NN4VRGMH	E-01	28	83515-KZ3-700	F-16	21	87144-REP-P20	F-25 (2ED/4ED)	14
61104-357-000	F-13 (ED/2ED)	12				83551-GE2-000	F-16	17	87146-NN4-V20	F-24 (2ED/4ED)	9
61104-357-000	F-13 (3ED/4ED)	12	65000						87146-NN4-V60	F-24 (ED/3ED)	8
61105-NN4-D00	F-06	5	65NN4VRSMH	E-01	28	86000			87146-REP-P20	F-25 (2ED/4ED)	13
61105-NN4-S10	F-06	5				86150-NN4-K10	F-23	11	87147-NN4-V20	F-24 (2ED/4ED)	10
61301-NN3-000	F-04 (3ED/4ED)	1	69000			86150-NN4-K10	F-24 (2ED/4ED)	6	87147-NN4-V60	F-24 (ED/3ED)	9
61310-NN4-C10ZB	F-04 (ED/2ED)	33	69NN4VRIMH	E-01	28	86150-NN4-K10	F-24 (ED/3ED)	6	87151-NN4-P20	F-24 (2ED/4ED)	17
61310-REP-P10ZA	F-25 (ED/3ED)	2							87151-NN4-V60	F-24 (ED/3ED)	22
61310-REP-P10ZC	F-25 (2ED/4ED)	2	77000			87000			87152-NN4-P20	F-24 (2ED/4ED)	18
61312-NN4-D10	F-04 (3ED/4ED)	3	77208-KW7-900	F-21	17	87100-NN4-V20	F-25 (2ED/4ED)	11	87152-NN4-V60	F-24 (ED/3ED)	23
61312-NN4-D10	F-21	16				87131-NN4-P20	F-24 (2ED/4ED)	1	87153-NN4-S70	F-24 (2ED/4ED)	19
61312-NN4-D10	F-23	7	80000			87131-NN4-V60	F-24 (ED/3ED)	1	87153-NN4-V60	F-24 (ED/3ED)	24
61312-NN4-D10	F-25 (ED/3ED)	6	80050-NN4-S70	F-14	1	87132-NN4-T20	F-24 (2ED/4ED)	7	87154-NN4-S70	F-24 (2ED/4ED)	20
61312-NN4-D10	F-25 (2ED/4ED)	6	80050-NN4-V60	F-14	1	87132-NN4-V60	F-24 (ED/3ED)	14	87154-NN4-V60	F-24 (ED/3ED)	25
61313-NN4-C10	F-04 (ED/2ED)	31	80101-028-940	F-21	18	87132-NN4-V60	F-24 (ED/3ED)	14	87155-NN4-P20	F-24 (2ED/4ED)	11
61314-NN4-C10	F-04 (ED/2ED)	17	80101-NN4-P10ZA	F-14	1	87133-NN4-T20	F-24 (2ED/4ED)	8	87155-NN4-V60	F-24 (ED/3ED)	10
61315-NN4-C10	F-05	8	80101-NN4-P10ZC	F-14	1	87133-NN4-V60	F-24 (ED/3ED)	15	87156-NN4-P20	F-24 (2ED/4ED)	12
61315-REP-J00	F-25 (ED/3ED)	3	80102-NN4-300	F-14	21	87135-NN4-S70	F-24 (2ED/4ED)	16	87156-NN4-V60	F-24 (ED/3ED)	11
61315-REP-J00	F-25 (2ED/4ED)	3	80103-NN4-300	F-14	19	87135-NN4-V60	F-24 (ED/3ED)	26	87156-NN4-V60	F-24 (ED/3ED)	11
61319-NN4-P10	F-04 (ED/2ED)	15	80104-NN4-300	F-14	20	87136-NN4-S70	F-24 (2ED/4ED)	21	87159-NN4-S10	F-24 (ED/3ED)	4
61320-NN4-C10ZB	F-04 (ED/2ED)	32	80105-NN4-300	F-14	6	87136-NN4-V60	F-24 (ED/3ED)	27	87159-NN4-S70	F-24 (2ED/4ED)	4
61390-NN4-C10	F-04 (ED/2ED)	25	80105-NN4-P10	F-14	10	87137-NN4-S70	F-24 (2ED/4ED)	22	87170-NN4-S70	F-24 (2ED/4ED)	13
61391-NN4-C10	F-04 (ED/2ED)	24	80106-NN4-P30	F-14	10	87137-NN4-V60	F-24 (ED/3ED)	28	87170-NN4-V10	F-24 (ED/3ED)	7
			80109-NN4-P10	F-14	14	87139-NN4-S70	F-24 (2ED/4ED)	2	87171-NN4-S70	F-24 (2ED/4ED)	14
62000			80110-NN3-000	F-15	19	87139-NN4-V10	F-24 (ED/3ED)	2	87171-NN4-V60	F-24 (ED/3ED)	12
62NN4VREMH	E-01	28	80111-NN4-P60	F-15	20	87140-NN4-S70	F-24 (2ED/4ED)	3	87172-NN4-S70	F-24 (2ED/4ED)	15
			80112-NN4-D00	F-15	21	87140-NN4-V10	F-24 (ED/3ED)	3	87172-NN4-V60	F-24 (ED/3ED)	13
63000			80113-NN4-G10	F-16	18	87142-NN4-V10	F-24 (ED/3ED)	30	87173-NN4-S70	F-24 (2ED/4ED)	23
63NN4VRFMH	E-01	28	80114-NN4-P30	F-14	15	87142-REP-P20	F-25 (2ED/4ED)	15	87173-NN4-V60	F-24 (ED/3ED)	16
			80121-NN4-P10	F-23	18	87143-NN4-J10	F-24 (2ED/4ED)	5	87174-NN4-S70	F-24 (2ED/4ED)	24
64000			80125-NN4-000	F-14	4	87143-NN4-J10	F-24 (ED/3ED)	5	87174-NN4-V60	F-24 (ED/3ED)	17
64246-MEW-920	F-14	18				87143-NN4-V60	F-25 (ED/3ED)	8	87175-NN4-S70	F-24 (2ED/4ED)	25
64615-KR1-860	F-13 (ED/2ED)	13	83000			87143-REP-P20	F-25 (2ED/4ED)	12	87175-NN4-V60	F-24 (ED/3ED)	18
			83510-NN4-P60	F-16	3						

PART No. INDEX COTA 301RR 2024

Part No.	Block	Ref.No.	Part No.	Block	Ref.No.	Part No.	Block	Ref.No.	Part No.	Block	Ref.No.
87176-NN4-S70	F-24 (2ED/4ED)	26	90041-NN4-000	E-01	11	90115-NN4-000	F-14	3	90206-NN4-C10	F-14	13
87176-NN4-V60	F-24 (ED/3ED)	19	90071-MF5-000	E-11	14	90115-NN4-000	F-13 (ED/2ED)	17	90216- MM9-000	F-16	15
87177-NN4-S70	F-24 (2ED/4ED)	27	90084-428-000	E-09	4	90115-NN4-000	F-13 (3ED/4ED)	17	90232-MB6-680	E-01	12
87177-NN4-V60	F-24 (ED/3ED)	20	90085-MCS-000	E-15	12	90116-383-721	F-07	25	90233- MM4-000	E-01	13
87178-NN4-S70	F-24 (2ED/4ED)	28	90088-MEB-670	E-03	9	90116-MAS-E00	F-14	5	90304-GA6-003	F-23	10
87178-NN4-V60	F-24 (ED/3ED)	21	90088-NN4-J10	F-02	7	90116-NN4-H00	F-23	15	90304-GA6-003	F-20	18
87301-NN4-T10	F-23	27	90088-NN4-J10	F-03	7	90116-NN4-J10	F-21	33	90304-MEE-D00	F-04 (3ED/4ED)	9
87302-NN4-T10	F-23	26	90089-KR0-000	E-01	9	90117-NN4-000	F-19	18	90304-MEE-D00	F-04 (ED/2ED)	5
87505-NN4-H10	F-19	41	90089-NN4-L60	F-02	6	90119-MJ0-000	F-23	8	90305-NN4-P10	F-12	21
87505-NN4-R10	F-19	40	90089-NN4-L60	F-03	6	90120-NN3-000	F-20	15	90308-KM3-003	F-22	18
87560-NN4-K40	F-15	27	90101-MAC-680	F-17	11	90120-NN4-C10	F-04 (ED/2ED)	29	90309-ML3-791	F-12	22
87560-NN4-L30	F-15	27	90102-GM2-000	F-19	17	90121-NN4-000	F-20	16	90309-ML3-791	F-18	14
87586-NN4-N10	F-16	23	90104-ML7-920	F-19	31	90121-NN4-C10	F-04 (ED/2ED)	22	90401-KRN-670	E-01	14
87615-NN4-T10	F-23	20	90105-KL8-741	F-18	19	90124-KZ4-J40	F-04 (3ED/4ED)	7	90401-NN4-000	F-12	23
			90105-NN4-D00	F-12	18	90124-KZ4-J40	F-04 (ED/2ED)	3	90402-KY4-900	E-12	10
88000			90106-KJ6-740	F-13 (ED/2ED)	25	90125-KZ4-J40	F-12	19	90402-NN4-000	E-10	7
88100-NN4-H11	F-04 (ED/2ED)	35	90106-KJ6-740	F-13 (3ED/4ED)	25	90125-NN2-900	F-23	9	90404-KW3-000	E-13	19
			90106-KRN-000	F-13 (ED/2ED)	16	90128-MW8-000	F-18	13	90432-KF0-000	E-06	14
90000			90106-KRN-000	F-13 (3ED/4ED)	16	90129-NN4-C10	F-04 (ED/2ED)	16	90435-HB3-000	E-14	22
90001-NN4-000	E-10	4	90106-KY2-701	F-14	2	90132-NN2-900	F-12	20	90441-KA4-700	E-11	15
90002-NN4-000	E-01	10	90106-NN4-J10	F-16	11	90145-NN4-J10	F-03	8	90441-KRN-670	E-11	16
90003-KRN-670	E-11	12	90107-NN3-000	F-01	14	90145-NN4-J10	F-11	6	90441-ME9-000	E-09	5
90003-NN4-J10	F-19	34	90107-NN4-P10	F-14	17	90182-NN3-000	F-20	17	90441-ME9-000	E-11	17
90004-GHB-600	E-03	7	90108-283-000	F-18	12	90201-GC4-000	F-19	19	90441-MR1-770	E-01	15
90004-GHB-630	E-03	8	90108-GK1-000	F-15	13	90201-NN3-000	E-06	13	90442-397-000	E-03	10
90004-GHB-660	E-06	12	90108-KGB-610	F-16	9	90201-NN4-000	E-10	6	90446-357-000	E-13	20
90005-896-000	E-10	5	90108-NN4-600	F-14	12	90201-NN4-600	F-06	13	90446-NN4-000	E-01	16
90005-NN4-J10	F-02	12	90112-413-000	E-13	18	90201-NN4-600	F-14	11	90447-KE1-000	E-08	5
90012-KK3-830	E-02	14	90113-NN4-L80	F-14	27	90202-NN4-J10	F-21	34	90451-155-000	E-14	23
90013-NN4-000	E-12	9	90113-NN4-L80	F-25 (ED/3ED)	4	90203-MF9-710	F-18	17	90452-178-000	E-15	10
90022-MG8-000	E-14	21	90113-NN4-L80	F-25 (2ED/4ED)	4	90205-NN4-J10	F-14	25	90452-323-000	E-01	17
90026-NN4-P60	F-09	19	90114-NN4-C10	F-05	7	90206-250-000	E-02	15	90452-KZ4-000	E-13	21
90031-NN4-000	E-11	13	90115-MAS-E00	F-16	10	90206-NN4-C10	F-04 (ED/2ED)	28	90453-KZ4-000	E-13	22

PART No. INDEX COTA 301RR 2024

Part No.	Block	Ref.No.	Part No.	Block	Ref.No.	Part No.	Block	Ref.No.	Part No.	Block	Ref.No.
90454-GF9-000	E-09	6	90602-NN4-600	F-04 (ED/2ED)	2	91011-KS6-003	E-06	19	91316-MJ8-003	E-11	35
90454-MC7-000	F-22	19	90602-NN4-600	F-06	2	91012-KA3-710	E-11	26	91320-KE1-000	E-05	14
90456-333-000	E-08	6	90602-NN4-600	F-14	26	91015-425-831	F-05	5	91320-KE1-000	E-08	11
90456-KS6-000	E-06	15	90602-NN4-600	F-22	17	91022-KA4-740	E-11	27	91351-GS2-701	F-20	22
90461-444-000	E-13	23	90602-NN4-600	F-23	6	91051-NN1-000	F-19	22	91351-KA3-711	E-13	27
90463-ML7-000	E-01	18	90602-NN4-C10	F-19	4	91051-NN1-000	F-20	19	91362-ZC3-000	F-19	29
90463-ML7-000	E-04	3	90602-NN4-G10	F-19	4	91052-NN0-000	F-19	23	91370-461-000	E-02	17
90463-ML7-000	E-08	7	90603-NN4-C10	F-23	23	91071-MA0-003	F-19	24	91410-KT7-000	E-09	18
90482-567-000	E-03	11	90603-NN4-C10	F-25 (ED/3ED)	7	91071-NN1-000	F-19	25	91410-KT7-000	F-21	27
90501-425-000	F-21	20	90603-NN4-C10	F-25 (2ED/4ED)	7	91071-NN1-000	F-20	20			
90501-444-000	E-15	11	90604-NN4-P10	F-23	21	91074-NN3-003	F-20	21	92000		
90501-ML3-910	E-06	16	90608-072-000	E-06	17	91201-148-003	E-08	9	92101-04020-0A	F-21	22
90501-NN4-003	E-13	24	90651-NN4-N20	F-08	6	91201-951-003	F-17	13	92101-05018-0H	F-17	16
90501-NN4-G00	F-13 (ED/2ED)	5	90658-NN4-J10	F-03	11	91201-KS6-004	E-11	28	92301-04012-0A	F-04 (ED/2ED)	30
90501-NN4-G00	F-13 (3ED/4ED)	5	90751-GK1-003	E-09	7	91201-MEB-671	E-11	29	92900-06022-0B	F-23	16
90502-NN4-000	F-19	20	90751-MAK-000	F-18	16	91202-MEB-671	E-11	30	93000		
90503-KRN-000	F-19	21	90851-NN4-300	F-14	22	91202-NN4-003	E-09	9	93301-06016-0A	E-14	24
90503-NN4-300	F-14	23	90851-NN4-B00	F-06	8	91203-KA4-771	E-11	31	93404-06014-00	F-19	30
90506-NN4-C10	F-04 (ED/2ED)	27	90901-NN4-P60	E-11	18	91204-HB3-004	E-11	32	93404-06018-07	F-22	20
90507-NN4-P10	F-04 (ED/2ED)	38				91205-KA3-712	E-05	10	93404-06020-07	F-22	21
90512-921-0100	F-16	14	91000			91211-KA3-761	E-08	10	93405-08020-00	F-23	12
90525-030-000	F-21	21	91001-147-003	E-06	18	91253-KA3-731	F-19	26	93500-04012-1A	F-01	15
90525-NN4-C10	F-05	10	91001-GG2-003	F-17	12	91254-KS6-003	F-19	27	93600-05012-0G	F-19	32
90525-NN4-C10	F-14	16	91001-KA3-711	E-11	19	91302-PA9-003	E-11	33	93600-05016-0G	F-19	33
90526-NN4-C10	F-04 (ED/2ED)	21	91001-KA4-003	E-08	8	91302-PNA-003	E-16	3	93600-06010-0H	E-11	36
90544-KS7-003	F-07	26	91001-KRN-671	E-11	20	91303-377-000	E-09	10	93891-04010-00	F-22	22
90545-NN4-J10	F-03	9	91001-KZ4-J11	E-11	21	91303-436-003	E-01	19	93913-14180	F-04 (3ED/4ED)	4
90545-NN4-J10	F-11	7	91002-NN4-003	E-11	22	91303-HA0-003	E-11	34	93913-14180	F-04 (ED/2ED)	26
90548-NN4-J10	F-02	11	91004-KRN-671	E-11	23	91305-422-000	F-19	28	93913-14180	F-15	22
90601-360-000	E-13	25	91004-KY4-900	E-11	24	91305-PH7-003	E-05	11	93913-15280	F-19	35
90601-KJ9-000	F-22	25	91006-HA0-003	E-11	25	91311-MR7-003	F-07	27			
90602-360-000	E-13	26	91007-NN4-003	E-02	16	91312-371-013	E-05	12	94000		
90602-NN4-600	F-04 (3ED/4ED)	6	91008-NN4-003	E-09	8	91312-NN3-003	E-05	13	94001-05000-0S	F-17	19

PART No. INDEX COTA 301RR 2024

Part No.	Block	Ref.No.	Part No.	Block	Ref.No.	Part No.	Block	Ref.No.
94001-06000-0S	F-17	14	95002-NN4-J10	F-11	8	96001-06050-00	E-09	16
94001-08000-0S	F-09	21	95003-43004-20	F-19	37	96001-06055-00	E-05	18
94050-05000	F-19	36	95005-55035-20	F-13 (ED/2ED)	14	96001-06055-00	E-11	42
94050-06000	F-15	23	95005-55035-20	F-13 (3ED/4ED)	14	96001-06060-00	E-08	14
94050-06000	F-16	12	95005-55225-20	F-15	25	96001-06070-00	E-11	43
94050-10000	F-04 (ED/2ED)	34	95018-50250	F-15	11	96001-06075-00	E-11	44
94101-05000	F-06	7	95701-06025-00	F-15	26	96001-06080-00	E-11	45
94101-06000	F-16	13				96001-06085-00	E-11	46
94102-08000	F-18	18	96000			96100-62013-00	E-02	18
94103-04700	F-04 (ED/2ED)	36	96001-0600800	F-21	31	96150-60040-10	F-12	24
941111-04000	F-01	16	96001-06012-00	F-11	9	96150-60040-10	F-09	14
941111-08000	F-09	22	96001-06012-00	F-19	38	96211-08000	F-17	17
94301-08100	E-09	11	96001-06014-00	E-11	40	96220-30178	E-07	5
94301-08140	E-01	20	96001-06014-00	E-15	14	96220-40080	E-14	26
94301-08140	E-05	15	96001-06014-00	F-06	3	96300-08018-00	F-23	13
94301-08140	E-11	37	96001-06018-00	F-21	23	96300-08032-00	F-23	24
94301-12200	E-01	21	96001-06020-00	E-01	22	96300-08032-00	F-09	20
94301-12200	E-04	4	96001-06020-00	F-21	24	96300-08035-00	E-09	17
94510-14000	E-14	25	96001-06022-00	E-01	23	96300-08070-00	E-11	47
94510-16000	E-15	13	96001-06022-00	F-17	15	96400-10085-00	F-23	14
94520-14000	E-09	12	96001-06022-00	F-21	25	96600-06010-10	F-19	39
94520-19000	E-11	38	96001-06022-00	F-21	26	96600-06022-00	F-11	10
94520-28000	E-09	13	96001-06025-00	E-08	12	96600-08025-10	F-05	6
94591-27000	F-04 (ED/2ED)	20	96001-06028-00	E-01	24	96600-080-2810	F-04 (3ED/4ED)	12
			96001-06028-00	E-04	5	96600-080-2810	F-04 (ED/2ED)	8
95000			96001-06028-00	E-05	16	96700-06022-00	E-16	4
95002-02100	E-11	39	96001-06028-00	E-09	14	96700-08032-10	F-17	18
95002-02100	F-15	24	96001-06028-00	F-22	24			
95002-02100	F-22	23	96001-06035-00	E-01	25	98000		
95002-02100	F-13 (ED/2ED)	22	96001-06035-00	E-05	17	98059-56916-00	E-01	26
95002-02100	F-13 (3ED/4ED)	22	96001-06035-00	E-09	15			
95002-02129	F-13 (ED/2ED)	7	96001-06045-00	E-11	41	U		
95002-02129	F-13 (3ED/4ED)	7	96001-06050-00	E-08	13	U2NN4VRUMH	E-01	28

